

- R-LinePack Line Striping Kit / Runner Airless Range -



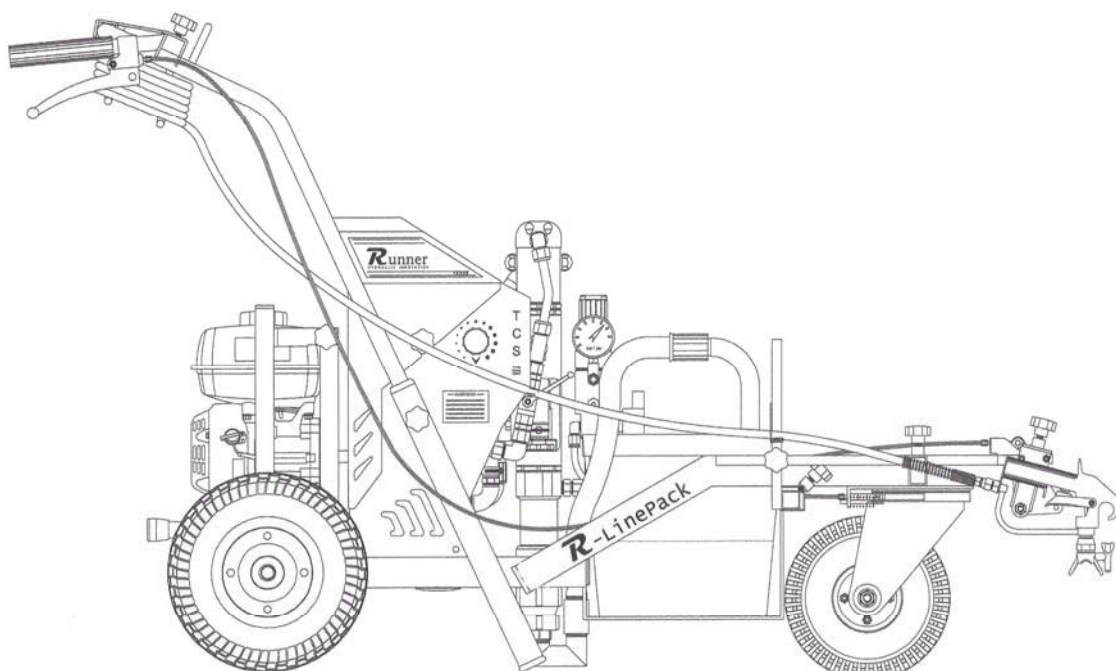
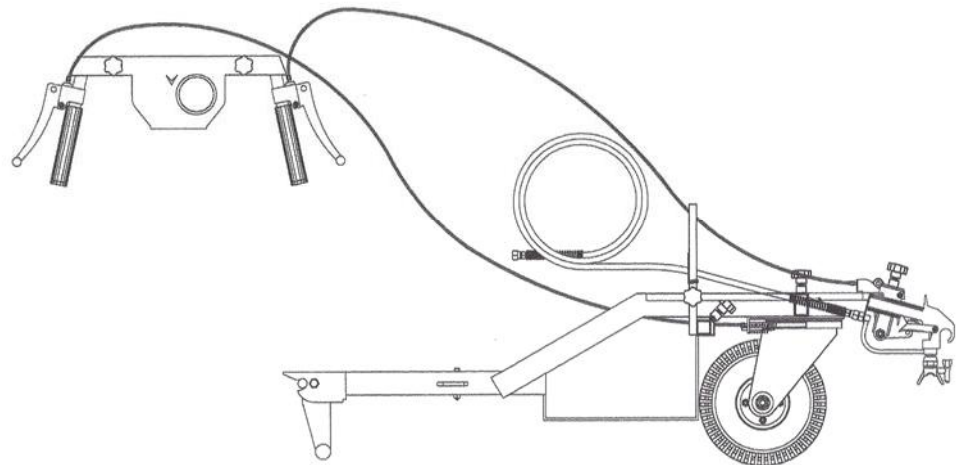
Safety Instructions

Read all instruction before operation



Warning

Airless equipment develop high pressure



Warnings

The following warnings are for the setup, use, maintenance and repair of this equipment.

This manual must be read and understood before using the equipment. When these symbols appear within this manual or on warning labels, refer back to these Warnings.



DANGER

HIGH VOLTAGE ELECTRIC SHOCK HAZARD



This equipment uses high voltage power and improper contact will cause death or serious injury.



Always turn off and disconnect the power cord before attempting to repair or service the unit.

This equipment is grounded and connects only to grounded power source.

Always ensure that grounded prongs are intact.

User only 3-wire extension cords for 240 volt and single phase units

User only a 5-wire extension cord for 400 AC and three phase units.

Never allow the unit to be exposed to rain, always store safely indoors.



WARNING

SKIN INJECTION HAZARD



A high pressure spray can inject toxins into the body causing serious injuries. If an injection occurs, get immediate medical treatment.



- ◆ Never aim the gun at any person or animal
- ◆ Keep all body parts ways from the units discharges. Never try to stop leaks with any body parts.
- ◆ Never put your hands in front of the spraying gun. Gloves will not protect against an injection injury.
- ◆ Always use a gun guard to spray, this will provide a minimum protection but it is only a warning device.
- ◆ Make sure that the guns trigger lock is not damaged
- ◆ Always use the manufacturers spraying accessories that are rated at or above the maximum working pressure of the sprayer.
- ◆ Check all hoses and nozzle tips for damages before operating. Replace any damaged parts.
- ◆ Always engage the trigger lock when not operating the gun.
- ◆ Make sure that all connections are secure before operating

Warnings



WARNING

GENERAL SAFETY



◇ Always wear eye protection, a respiration mask and appropriate gloves when painting.

◇ Never operate the unit near to children.



◇ Do not operate the unit when fatigued or under the influence of drugs or alcohol.

◇ Do not alter or modify the equipment.



WARNING

GROUNDING



This product must be grounded. In the event of an electrical short circuit, grounding reduces the risk of electric shock by providing an escape wire for the electric current. This product is equipped with a cord having a grounding wire with an appropriate grounding plug. The plug must be plugged into an outlet that is properly installed and grounded in accordance with all local codes and ordinances.

If repairing or replace of a cord or plug is required , do not connect the grounding wire to either flat blade terminal. The wire with insulation having a green outer surface with or without yellow stripes is the grounding wire and must be connected to the grounding pin. Check with a qualified electrician or serviceman if the grounding instructions are not completely understood, or if you are in doubt as to whether the product is properly grounded. Do not modify the plug provided. If the plug will not fit the outlet, have the proper outlet installed by a qualified electrician.



WARNING

GROUNDING



This product is for use on a normal 230 volt circuit and has a grounding plug similar to the figure bellow.



Only connect the unit to an outlet having the same configuration as the plug. Do not use an adapt on this product.

Use a 3-wire extension cord that has a grounded plug & receptacle.

Always make sure that the cord, extension and plug are in good tact and not damaged.



WARNING

FIRE AND EXPLOSION HAZARDS



Always use the unit only in a well ventilated area.

Flammable fumes in the work area can ignite or explode.



◇ Never spray flammable or combustible materials near an open flame or sources of ignition such as cigarettes, motors and electrical equipment.

Warnings



WARNING

FIRE AND EXPLOSION HAZARDS



- ◇ Paint or solvent flowing through the equipment is able to result in static electricity. Static electricity creates a risk of fire or explosion in the presence of paint or solvent fumes. All parts of the spray system, including the pump, hose assembly, spray gun and objects in and around the spray area shall be properly grounded to protect against static discharge and sparks. Use only conductive or grounded high-pressure airless paint sprayer hoses specified by the manufacturer



- ◇ Verify that all containers and collections systems are grounded to prevent static discharge. Do not use pail liners unless they are antistatic or conductive.
- ◇ Connect to a grounded outlet and use grounded extensions cords. Do not use a 3 to 2 adapter.
- ◇ Do not use a paint or a solvent containing halogenated hydrocarbons
- ◇ Do not spray flammable or combustible liquids in a confined area.
- ◇ Keep spray area well ventilated. Keep a good supply of fresh air moving through the area to keep the air within the spray area free from flammable materials.
- ◇ Know the contents of the paint and solvents being sprayed. Read all the Material Safety Data Sheets (MSDS) and container labels provided with the materials. Follow the manufacturers safety instructions.
- ◇ Keep a fire extinguisher in the work area.



WARNING

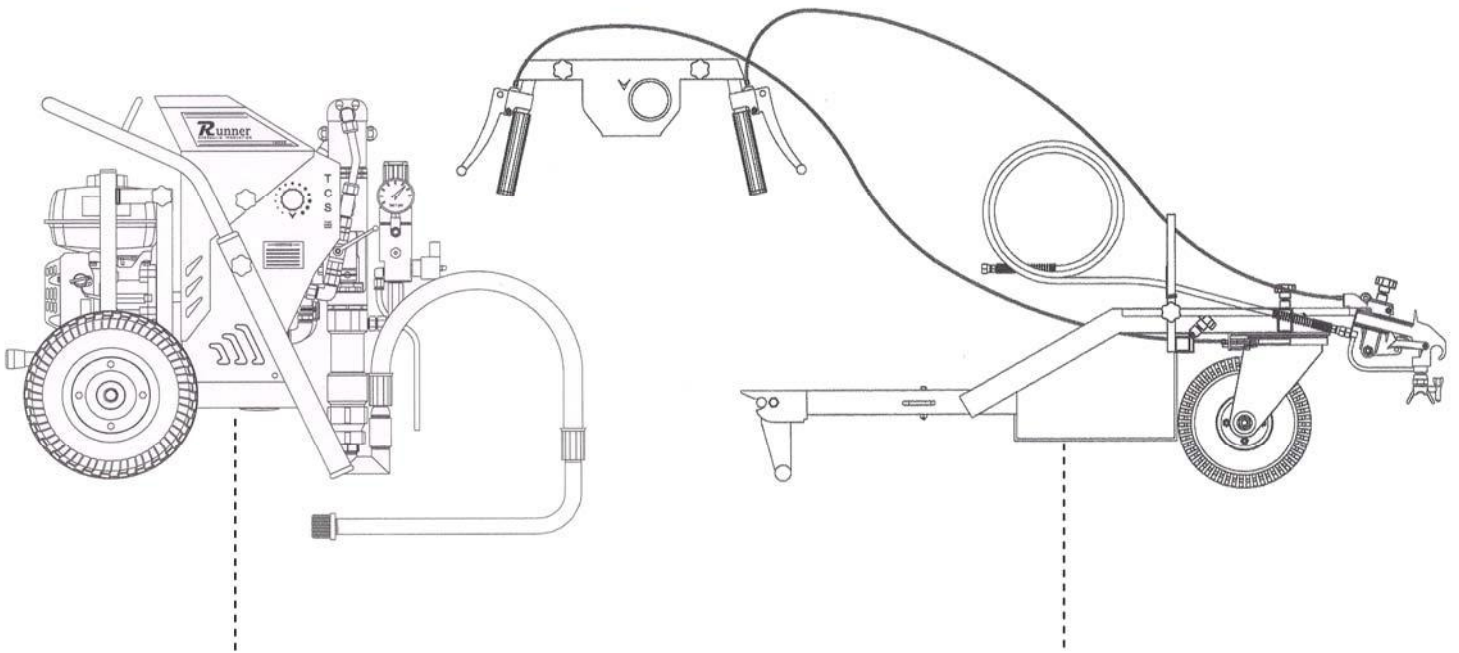


◆ CARBON MONOXIDE HAZARD

Exhaust contains poisonous carbon monoxide, which is colorless and odorless. Breathing carbon monoxide can cause death. Always ventilate the work area.

◆ BURN HAZARD

Equipment surfaces and fluid that is heated can become very hot during operation. Never touch the hot fluid or equipment.



Runner Airless Sprayer

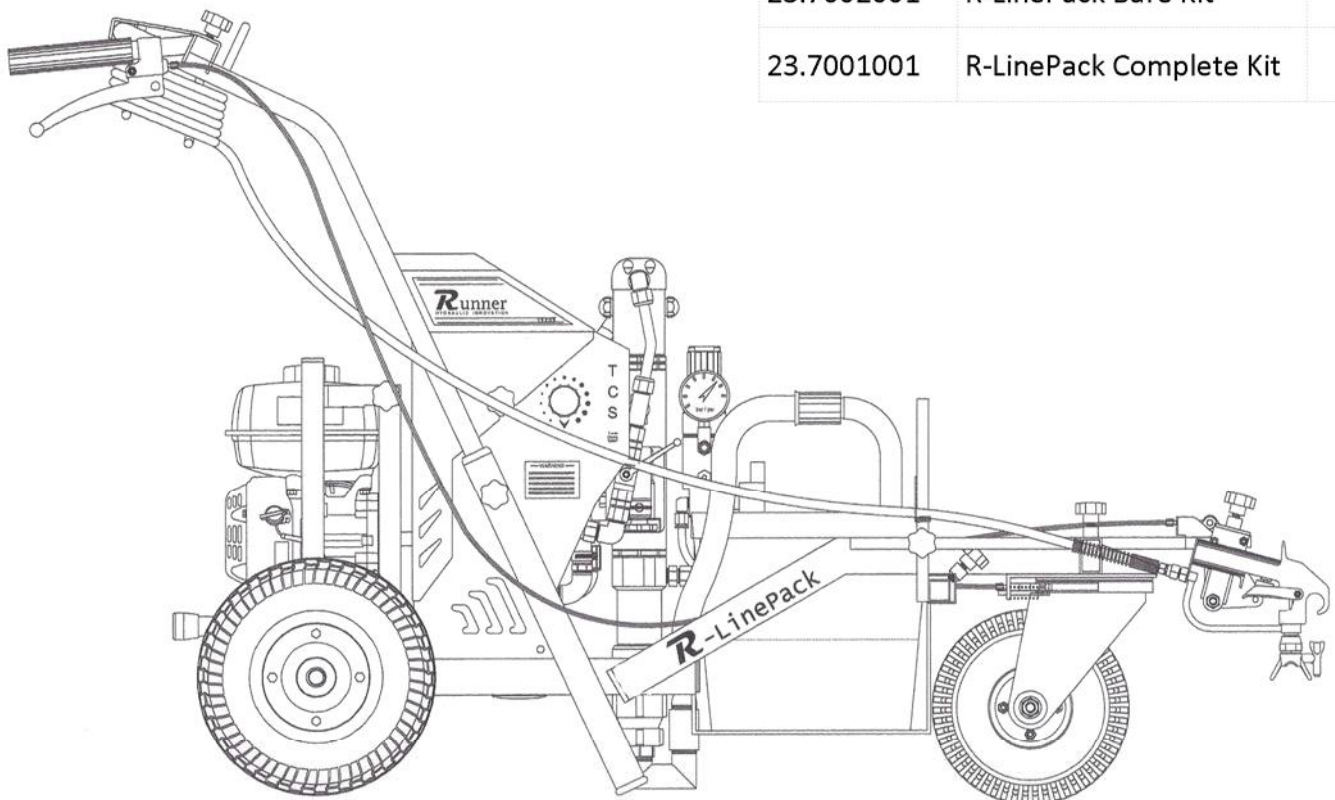
Line Striping Kit "R-LinePack"

Pic. 1

All Runner Airless Texture & Paint sprayers can connect to VEZOS R-LinePack line striping kit.

No tools required to adapt the striping kit to the sprayer.

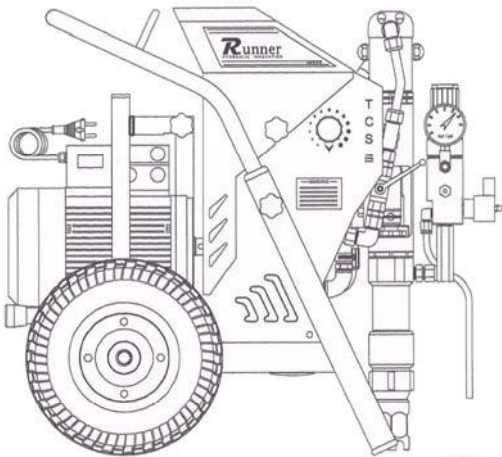
Part Number	Description	QTY
23.7002001	R-LinePack Bare Kit	1
23.7001001	R-LinePack Complete Kit	1



Pic. 2

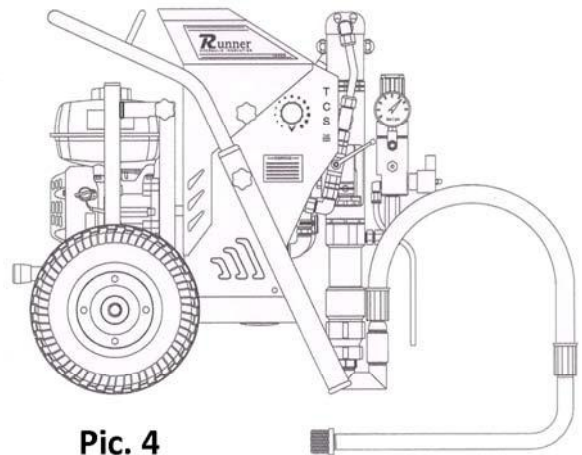
1. Change Power Kit (if motor version) Refer to pic. 7 - 8

2. Change direct immerse pump to suction hose method Remove pump ending and securely screw on the suction hose kit



Pic. 3

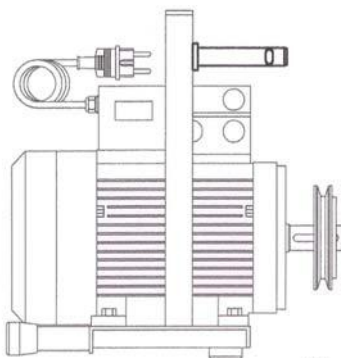
Unscrew by hand / no tools



Pic. 4

Add suction hose and tighten by hand

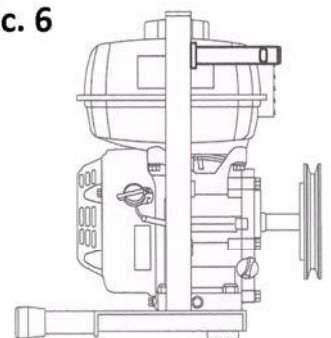
Power Kit Change



Pic. 5

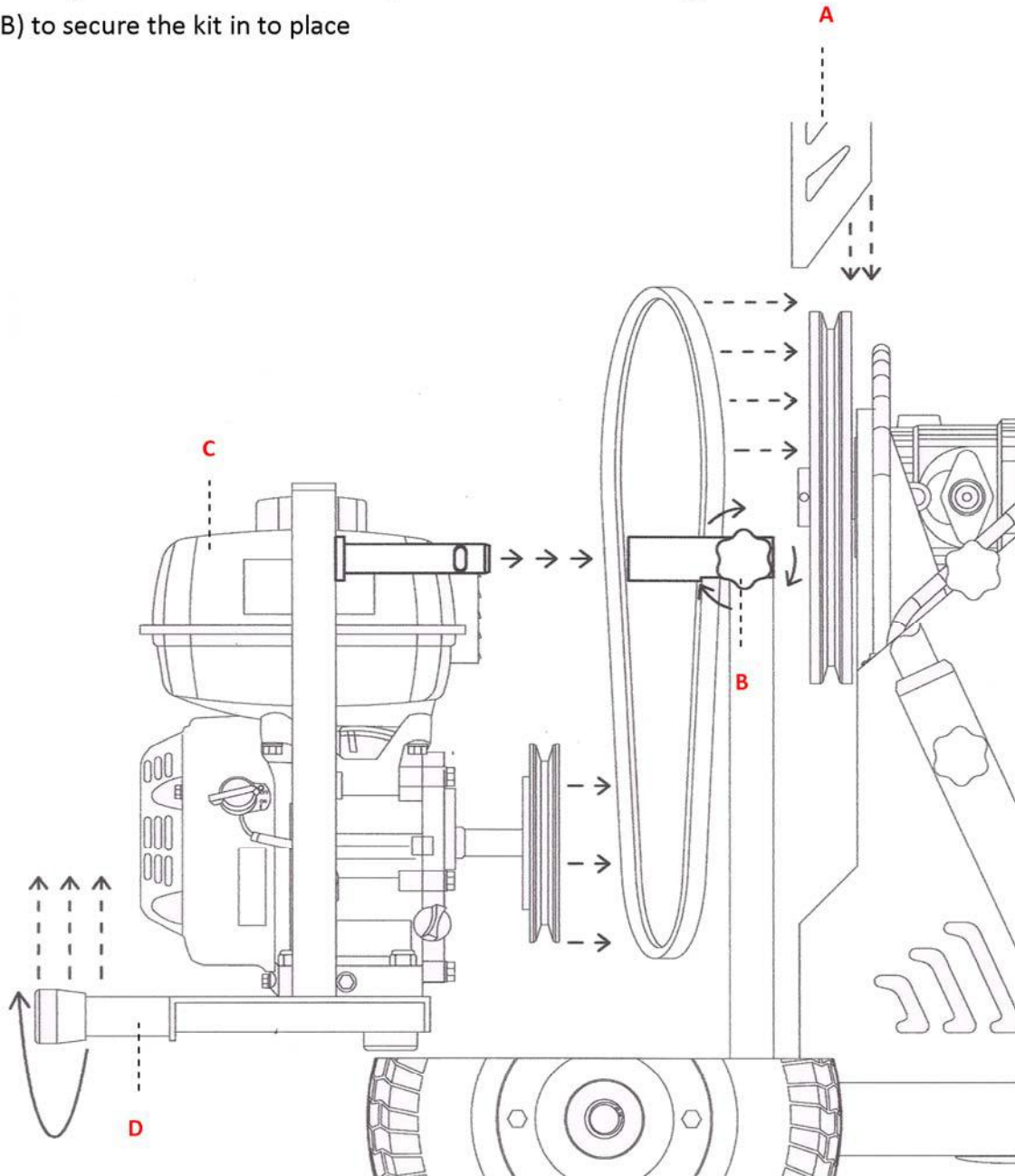
Motor Kit
p/n 23.8001021.E

Pic. 6



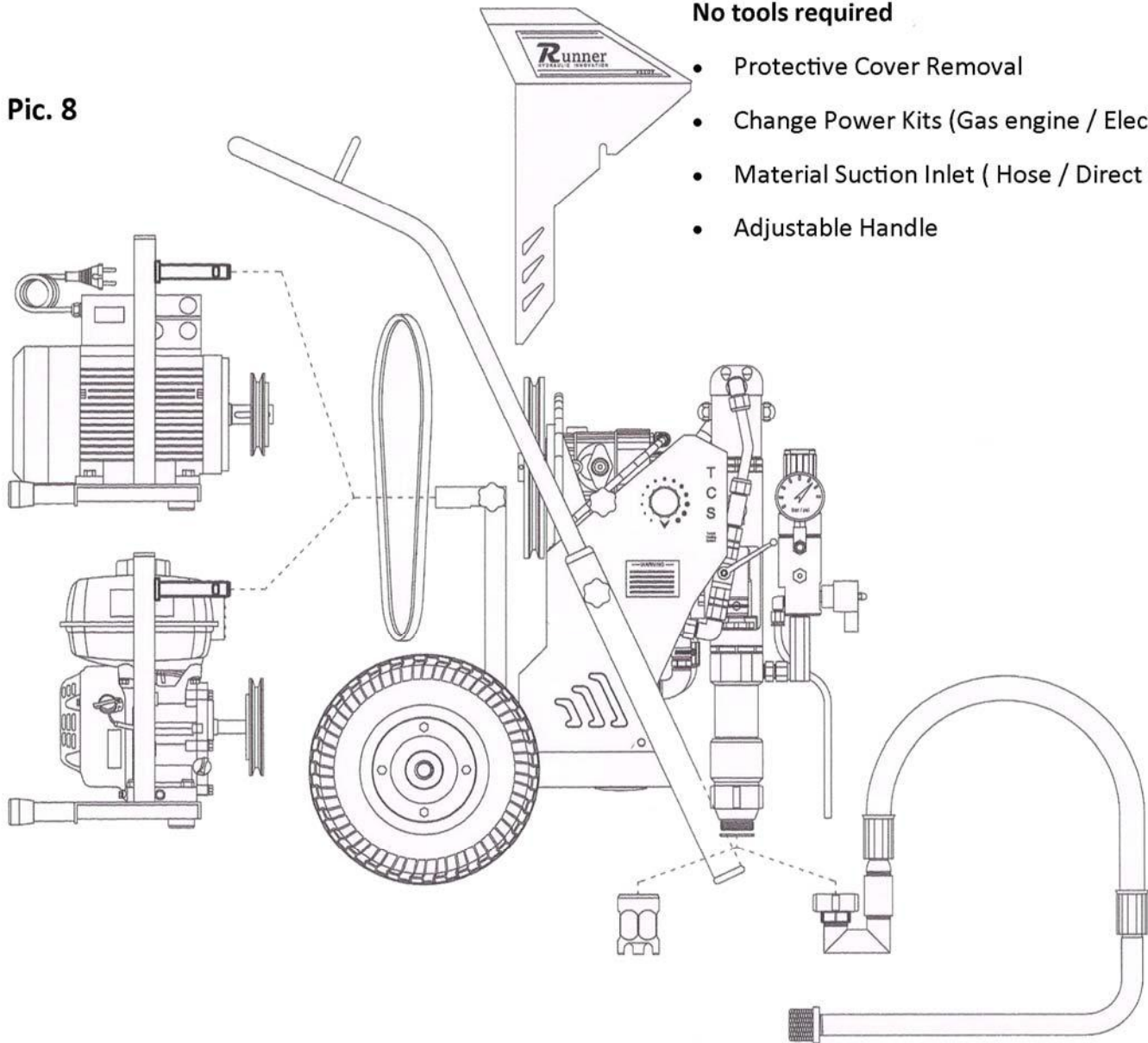
Honda Engine Kit
p/n 23.8001021.G

- ⇒ Turn off the motor and unplug / turn off engine.
- ⇒ Remove the protective cover. (A)
- ⇒ Unscrew the knob (B) and pull the motor kit (C) from the lower handle (D) to loosen the belt, at that position pull the motor kit out.
- ⇒ Redo the above procedure backwards to replace the motor kit and tighten the knob (B) to secure the kit in to place



Pic. 7

Pic. 8

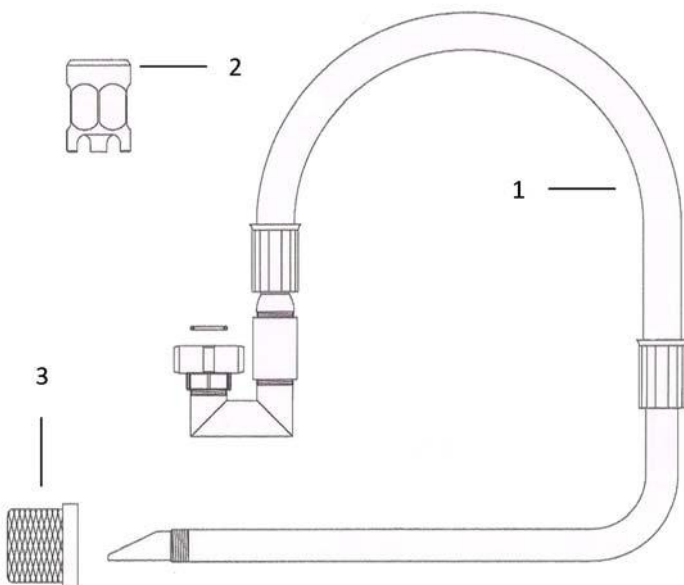


No tools required

- Protective Cover Removal
- Change Power Kits (Gas engine / Electric motor)
- Material Suction Inlet (Hose / Direct inlet)
- Adjustable Handle

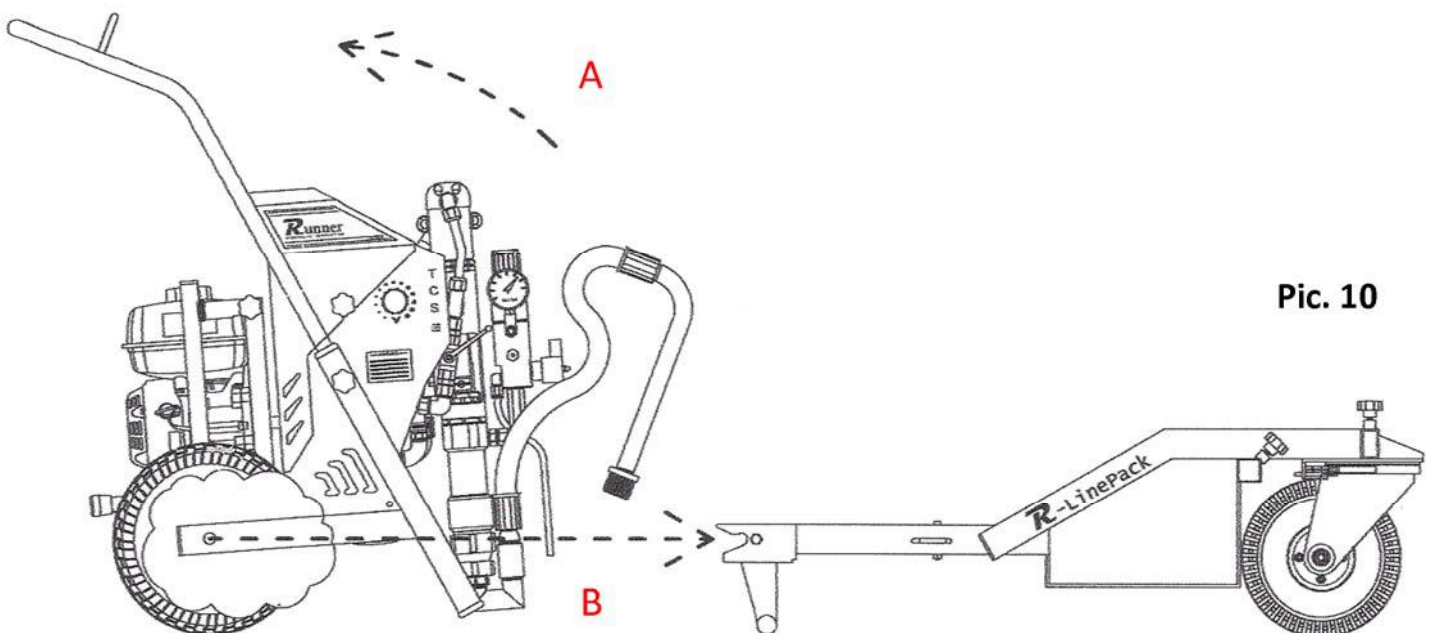
Pic. 9

Material Suction

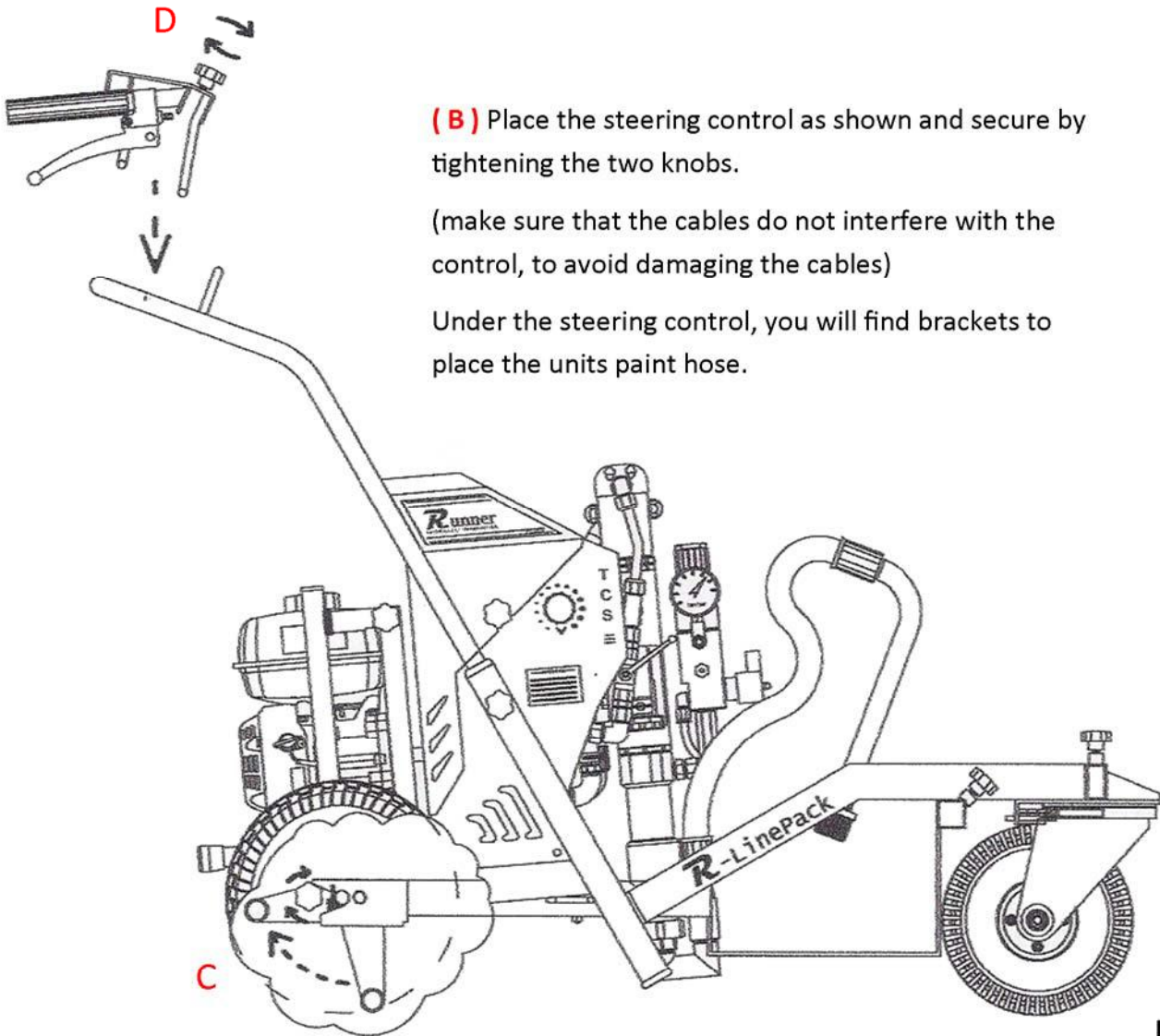


Ref.	Part Number	Description	QTY
1	23.7002202	Suction Hose Kit	1
2	89.3001118	Direct Inlet	1
3	89.3001119	Strainer / Filter	1

After adding the suction hose kit, place the Runner Sprayer in front of the R-LinePack and gradually drive the sprayer into the striping kit. The rear stand/break lever of the kit should be facing down, the gun brackets must be be completely closed.

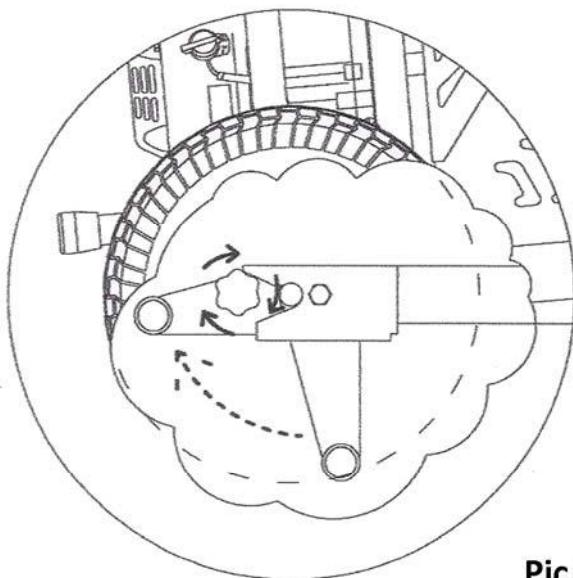


Now the R-LinePack striping kit, is ready to be attached to the Runner Sprayer. Tilt the Runner back slightly (A) in order to lift the sprayer's front two legs, push it towards the striping kit (B) until the rear inlets of the kit have been inserted into the sprayers wheel axle.



Pic. 11

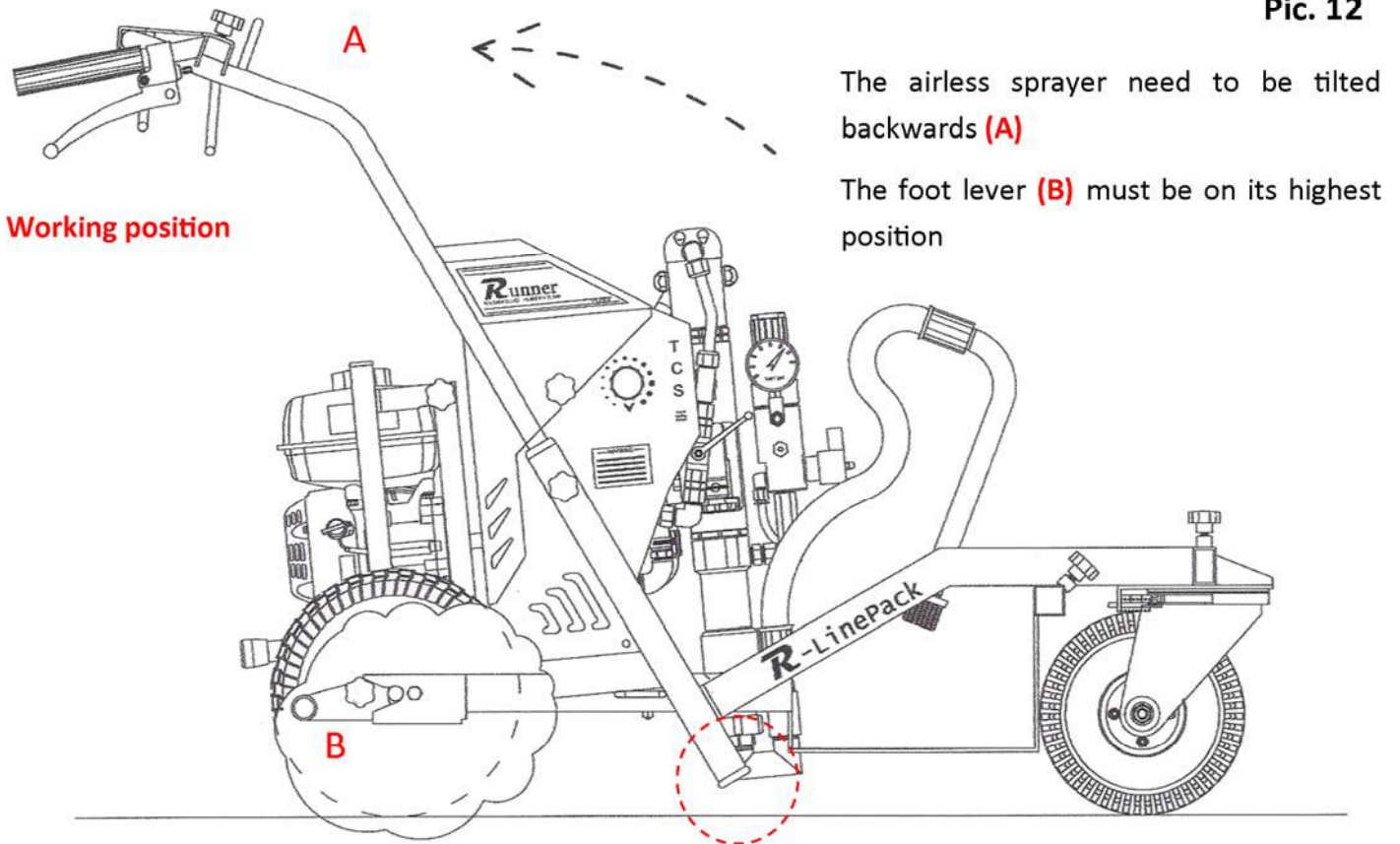
(C) Pull the lever up and tighten the knob. Now the two parts have securely become one unit



Pic.11 Detail

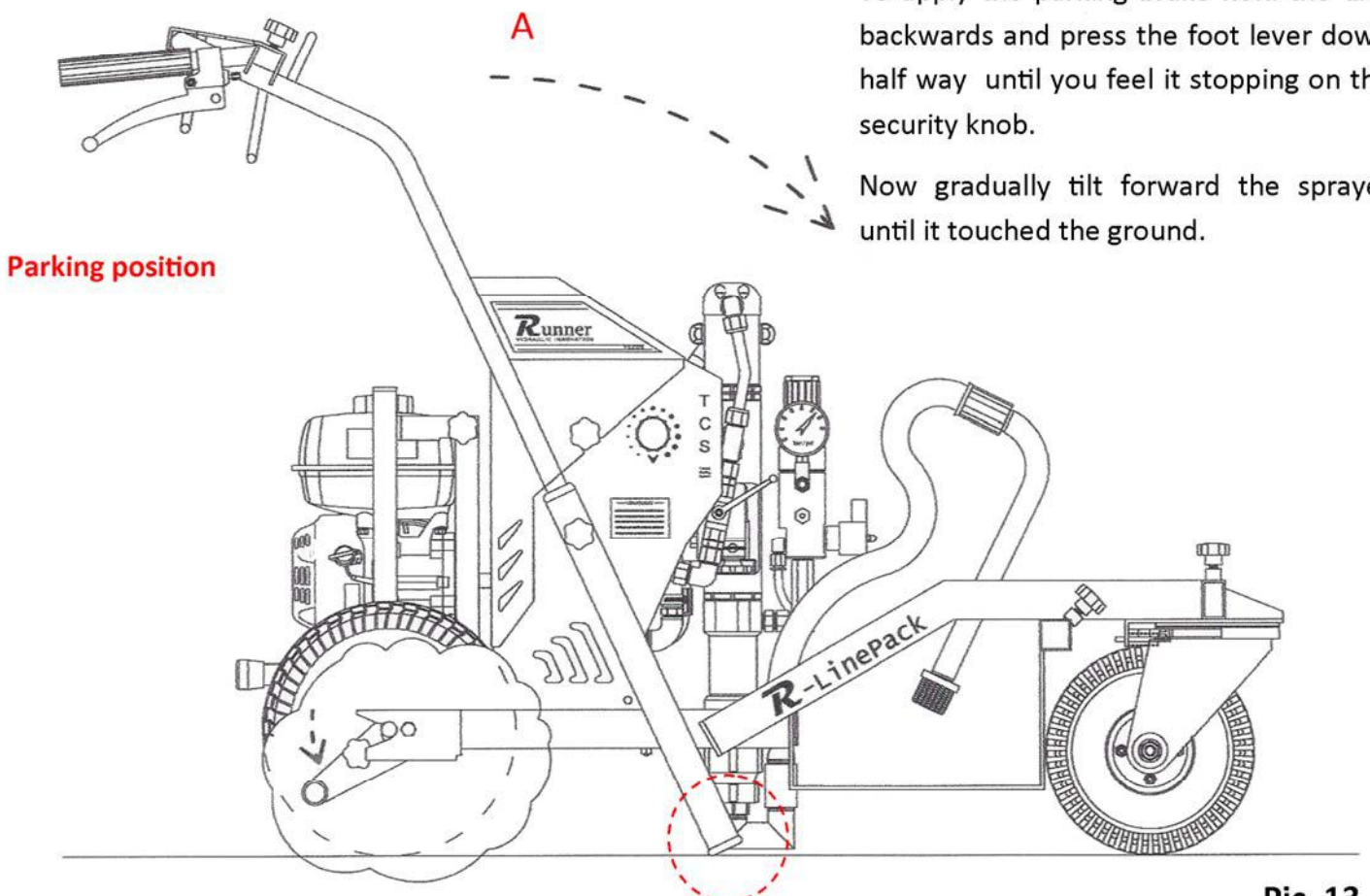
Parking brake procedure

Pic. 12



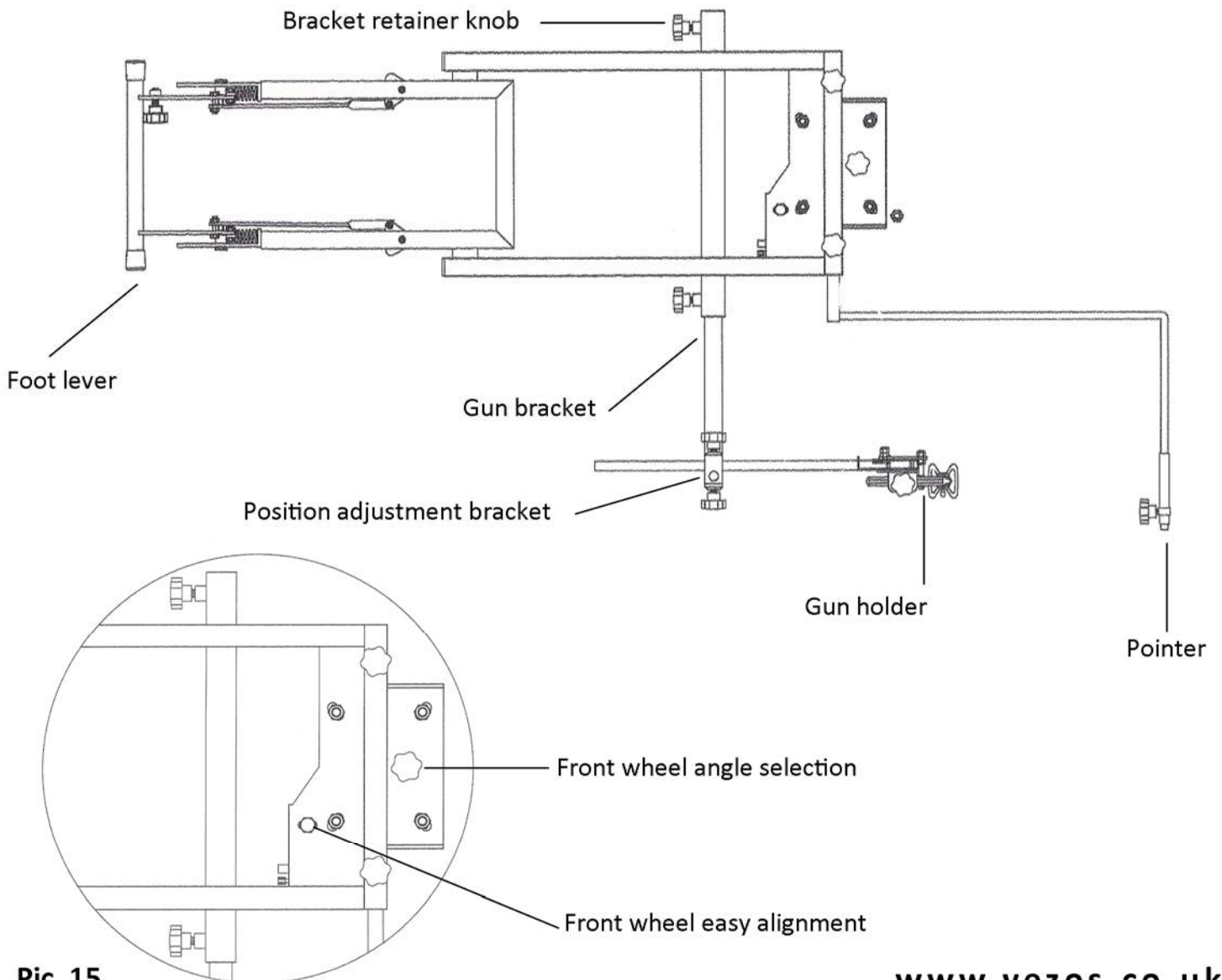
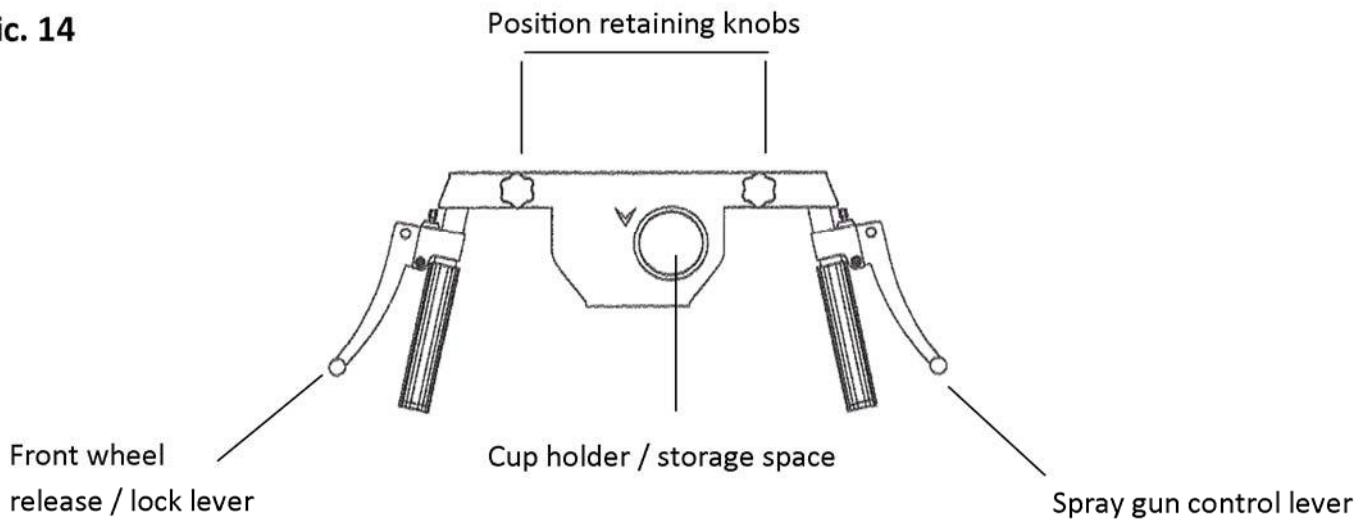
To apply the parking brake hold the unit backwards and press the foot lever down half way until you feel it stopping on the security knob.

Now gradually tilt forward the sprayer until it touched the ground.



Pic. 13

Pic. 14



Pic. 15

Before operating the airless sprayer perform a daily check on the bellow:



- ⇒ Engine oil level
- ⇒ Hydraulic oil level
- ⇒ Spray hose for damage
- ⇒ Fuel tank (Gas operated) for level
- ⇒ Pump secure and tightened
- ⇒ Spray gun tight / locked
- ⇒ Drain valve closed

Semi annual / annual checks:

- * Change engine oil - check Honda Engine Manual
- * Check belt (pulley fan) and replace if necessary
- * Drain hydraulic oil and replace (VG 68)
- * Annual maintenance / service at authorized distributor



Technical Data

Product Number	23.7002001	23.7001001
Model	R-LinePack Bare Kit	R-LinePack Complete Kit
Adaptable to	Runner Airless Range	Runner Airless Range
Includes		
R-LinePack Cart	1 piece	1 piece
Steering / Spray Control	1 piece	1 piece
Paint Suction Hose Kit	Available Accessory	1 piece
Paint Hose 1/4"	Available Accessory	15 meters
Pointer Kit Long	Available Accessory	1 piece
Gun Guard	Available Accessory	1 piece
Gun tip	Available Accessory	1 piece
Power Conversion Kit	Available Kit	Available Kit