

- Runner Hydraulic Paint & Texture Airless Spray -



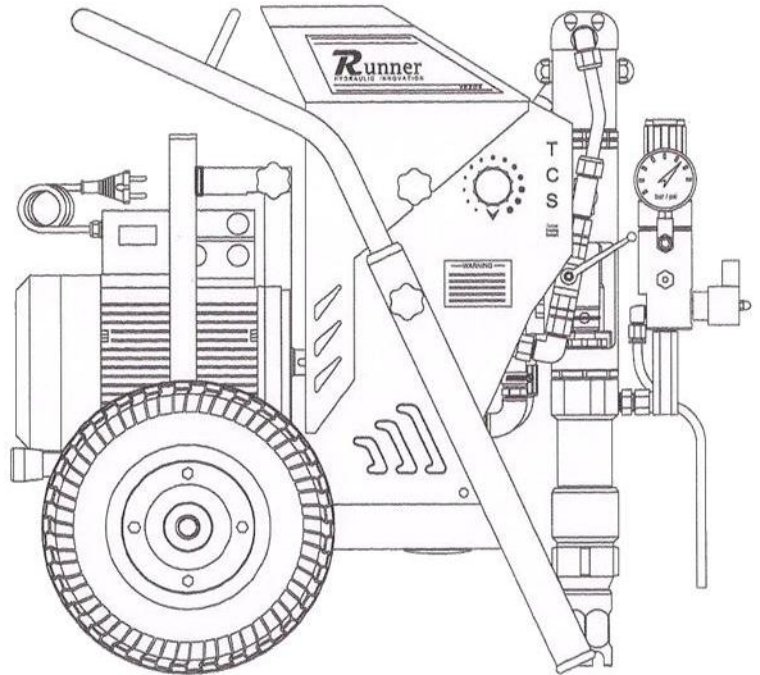
Safety Instructions

Read all instruction before operation

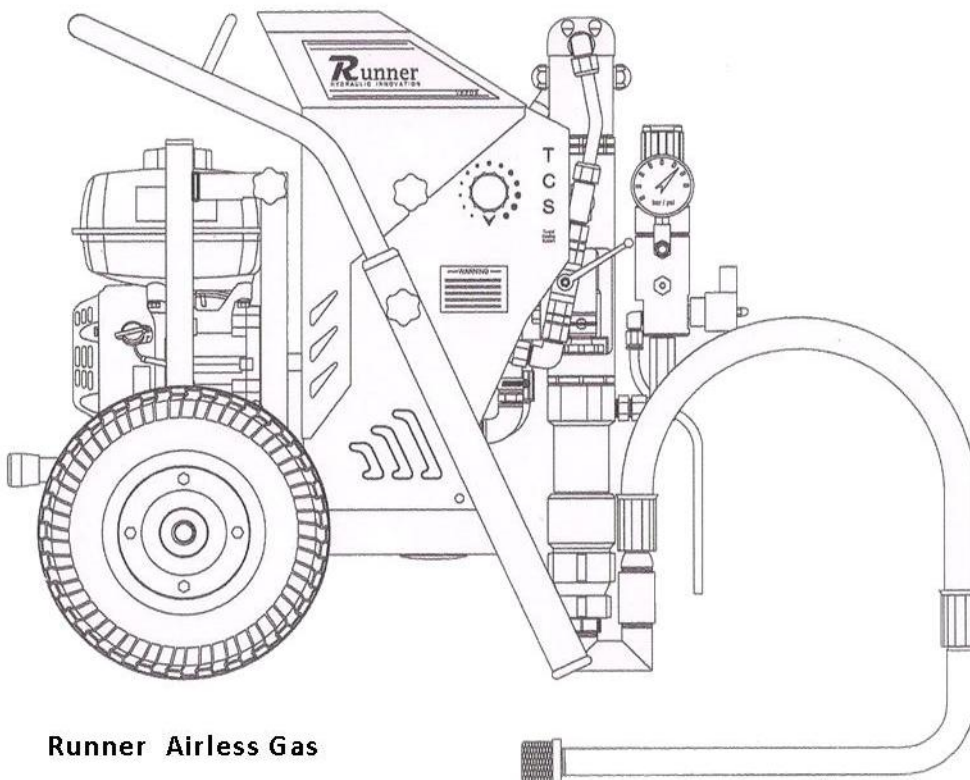


Warning

Airless equipment develop high pressure



Runner Airless Electric



Runner Airless Gas

Warnings

The following warnings are for the setup, use, maintenance and repair of this equipment.

This manual must be read and understood before using the equipment. When these symbols appear within this manual or on warning labels, refer back to these Warnings.

**DANGER****HIGH VOLTAGE ELECTRIC SHOCK HAZARD**

This equipment uses high voltage power and improper contact will cause death or serious injury.



Always turn off and disconnect the power cord before attempting to repair or service the unit.

This equipment is grounded and connects only to grounded power source.

Always ensure that grounded prongs are intact.

User only 3-wire extension cords for 240 volt and single phase units

User only a 5-wire extension cord for 400 AC and three phase units.

Never allow the unit to be exposed to rain, always store safely indoors.

**WARNING****SKIN INJECTION HAZARD**

A high pressure spray can inject toxins into the body causing serious injuries. If an injection occurs, get immediate medical treatment.



- ◆ Never aim the gun at any person or animal
- ◆ Keep all body parts ways from the units discharges. Never try to stop leaks with any body parts.
- ◆ Never put your hands in front of the spraying gun. Gloves will not protect against an injection injury.
- ◆ Always use a gun guard to spray, this will provide a minimum protection but it is only a warning device.
- ◆ Make sure that the guns trigger lock is not damaged
- ◆ Always use the manufacturers spraying accessories that are rated at or above the maximum working pressure of the sprayer.
- ◆ Check all hoses and nozzle tips for damages before operating. Replace any damaged parts.
- ◆ Always engage the trigger lock when not operating the gun.
- ◆ Make sure that all connections are secure before operating

Warnings



WARNING

GENERAL SAFETY



◇ Always wear eye protection, a respiration mask and appropriate gloves when painting.

◇ Never operate the unit near to children.



◇ Do not operate the unit when fatigued or under the influence of drugs or alcohol.

◇ Do not alter or modify the equipment.



WARNING

GROUNDING



This product must be grounded. In the event of an electrical short circuit, grounding reduces the risk of electric shock by providing an escape wire for the electric current. This product is equipped with a cord having a grounding wire with an appropriate grounding plug. The plug must be plugged into an outlet that is properly installed and grounded in accordance with all local codes and ordinances.

If repairing or replace of a cord or plug is required , do not connect the grounding wire to either flat blade terminal. The wire with insulation having a green outer surface with or without yellow stripes is the grounding wire and must be connected to the grounding pin. Check with a qualified electrician or serviceman if the grounding instructions are not completely understood, or if you are in doubt as to whether the product is properly grounded. Do not modify the plug provided. If the plug will not fit the outlet, have the proper outlet installed by a qualified electrician.



WARNING

GROUNDING



This product is for use on a normal 230 volt circuit and has a grounding plug similar to the figure bellow.



Only connect the unit to an outlet having the same configuration as the plug. Do not use an adapt on this product.

Use a 3-wire extension cord that has a grounded plug & receptacle.

Always make sure that the cord, extension and plug are in good tact and not damaged.



WARNING

FIRE AND EXPLOSION HAZARDS



Always use the unit only in a well ventilated area.

Flammable fumes in the work area can ignite or explode.



◇ Never spray flammable or combustible materials near an open flame or sources of ignition such as cigarettes, motors and electrical equipment.

Warnings



WARNING

FIRE AND EXPLOSION HAZARDS



- ◇ Paint or solvent flowing through the equipment is able to result in static electricity. Static electricity creates a risk of fire or explosion in the presence of paint or solvent fumes. All parts of the spray system, including the pump, hose assembly, spray gun and objects in and around the spray area shall be properly grounded to protect against static discharge and sparks. Use only conductive or grounded high-pressure airless paint sprayer hoses specified by the manufacturer
- ◇ Verify that all containers and collections systems are grounded to prevent static discharge. Do not use pail liners unless they are antistatic or conductive.
- ◇ Connect to a grounded outlet and use grounded extensions cords. Do not use a 3 to 2 adapter.
- ◇ Do not use a paint or a solvent containing halogenated hydrocarbons
- ◇ Do not spray flammable or combustible liquids in a confined area.
- ◇ Keep spray area well ventilated. Keep a good supply of fresh air moving through the area to keep the air within the spray area free from flammable materials.
- ◇ Know the contents of the paint and solvents being sprayed. Read all the Material Safety Data Sheets (MSDS) and container labels provided with the materials. Follow the manufacturers safety instructions.
- ◇ Keep a fire extinguisher in the work area.



WARNING



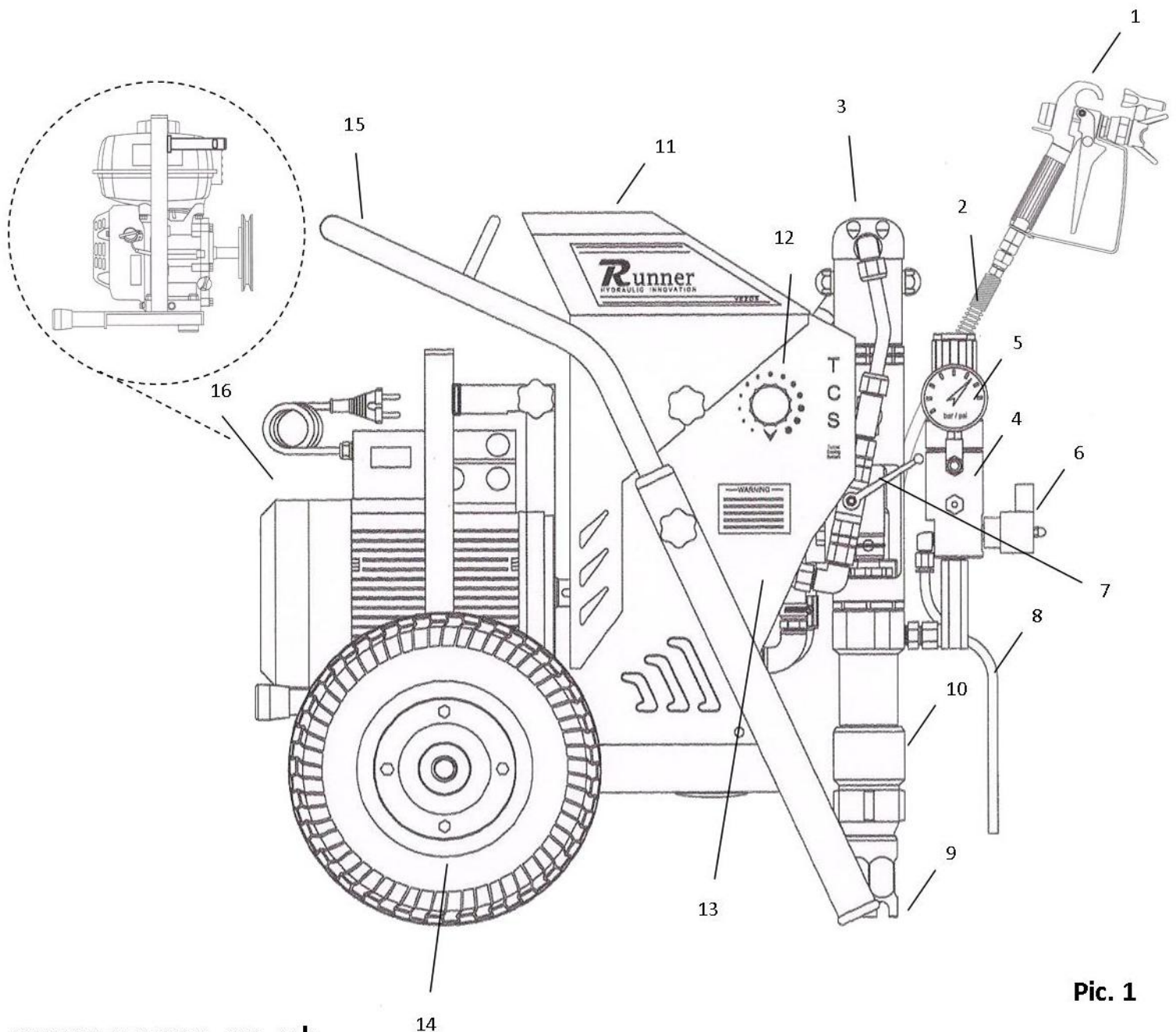
◇ CARBON MONOXIDE HAZARD

Exhaust contains poisonous carbon monoxide, which is colorless and odorless. Breathing carbon monoxide can cause death. Always ventilate the work area.

◇ BURN HAZARD

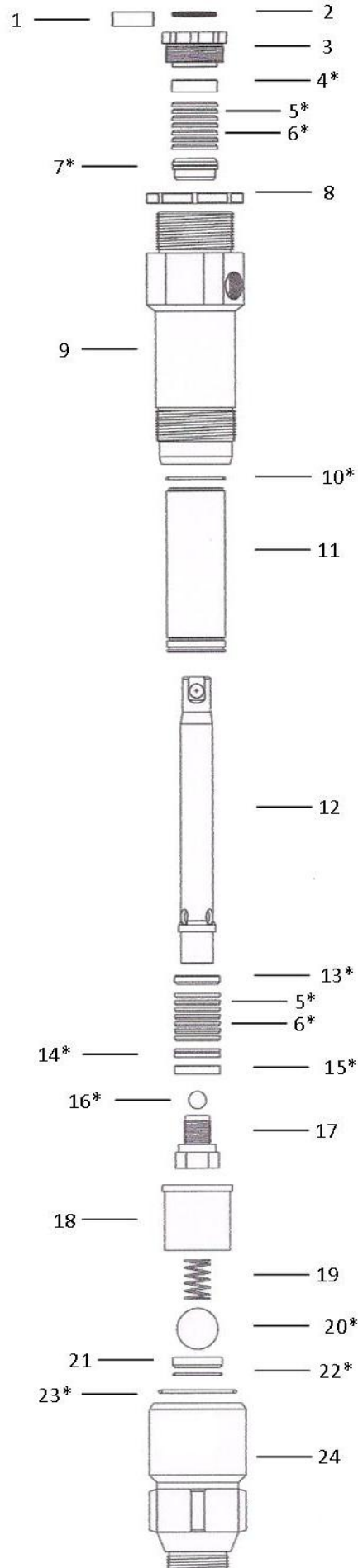
Equipment surfaces and fluid that is heated can become very hot during operation. Never touch the hot fluid or equipment.

1	Airless Spray Gun	9	Texture Inlet
2	Airless Paint Hose	10	Displacement Pump
3	Hydraulic Motor	11	Protective Cover
4	Filter	12	Pressure Adjustment
5	Gauge	13	Hydraulic Oil Tank
6	Drain Valve	14	HD Wheel
7	Hydraulic Pump ON/OFF	15	Adjustable Handle
8	Drain Hose	16	Power Kit



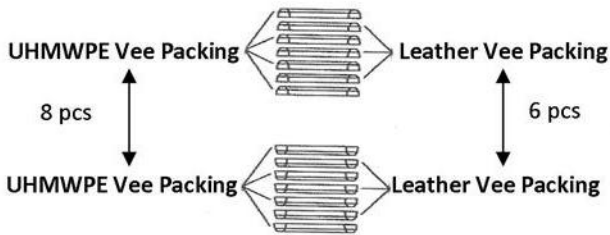
Pic. 1

Pump 100542



* Included in Repair Kit p/n 62.1003165

Repair Kit Packing

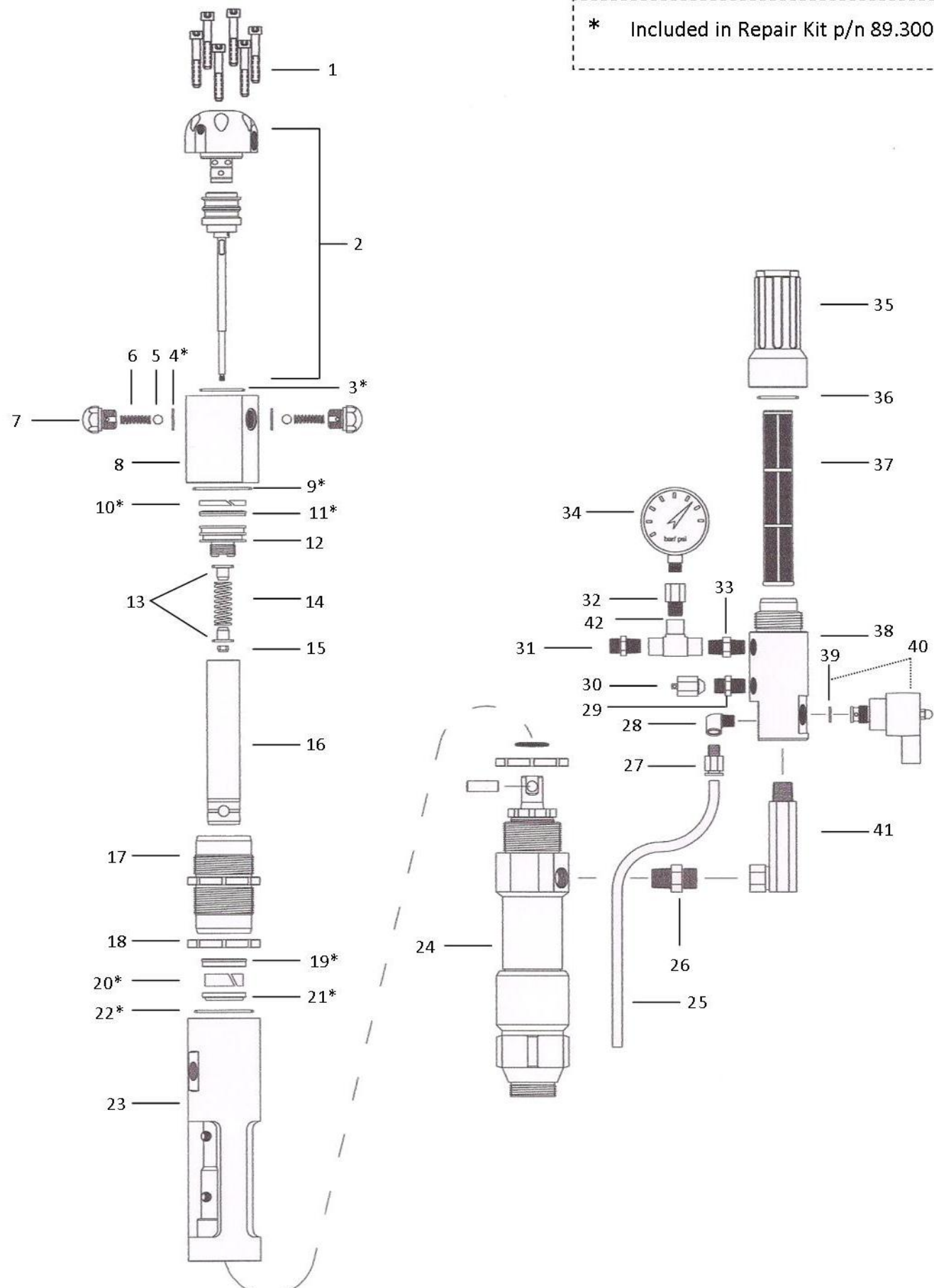


Pic. 3

Pic. 2

Ref.	Part Number	Description	QTY
1	89.3001003	Pin	1
2	89.3001004	Pin Lock	1
3	89.3001005	Nut Packing	1
4	89.3001010	Gland Female	1
5	89.3001016	Vee Packing Leather	6
6	89.3001021	Vee Packing VHMWPE	8
7	89.3001019	Gland Male	1
8	89.3001011	Nut Body	1
9	89.3001022	Body Pump	1
10	89.3001015	O-Ring PTFE Sleeve	1
11	89.3001020	Sleeve, SST Hardened	1
12	89.3001006	Rod Piston Chromed	1
13	89.3001013	Gland Male Piston	1
14	89.3001012	Gland Female Piston	1
15	89.3001025	Wiper Piston	1
16	89.3001024	Ball Valve Piston	1
17	89.3001007	Valve Piston	1
18	89.3001017	Guide Ball	1
19	89.3001023	Spring Intake Ball	1
20	89.3001014	Ball Valve Intake	1
21	89.3001008	Seat Intake	1
22	89.3001018	O-Ring Seat PTFE	1
23	89.3001026	O-Ring Housing PTFE	1
24	89.3001009	Housing Intake	1

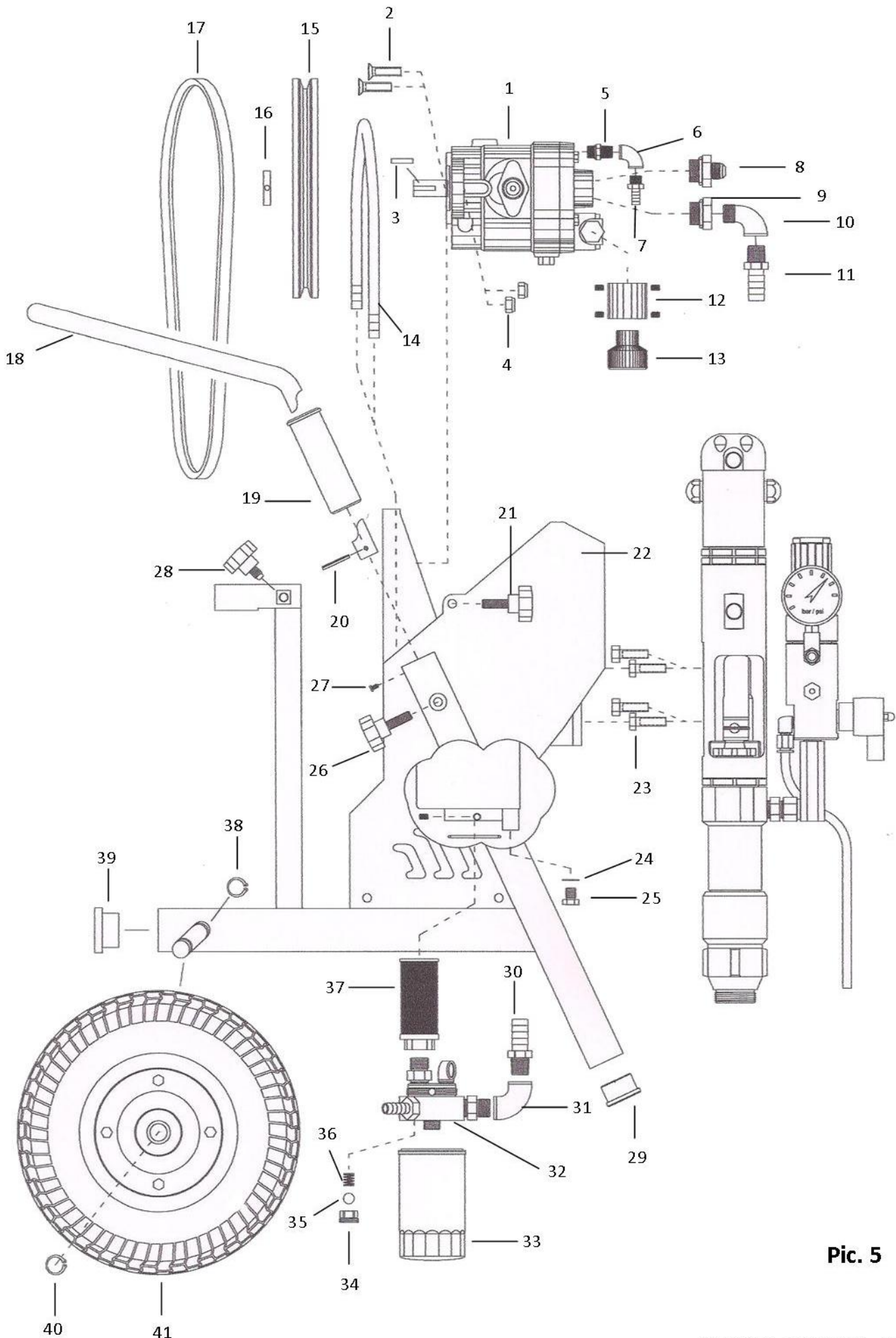
* Included in Repair Kit p/n 62.1003165



Pic. 4

Ref.	Part Number	Description	QTY	Ref.	Part Number	Description	QTY
1	89.3001037	Bolt HEX	6	22	89.3001042	O-Ring NBR Sleeve	1
2	89.3001027	Kit Hydraulic Valve	1	23	89.3001058	Body Motor	1
3	89.3001047	O-Ring Valve NBR	1	24	23.4002740	Displacement Pump	1
4	89.3001048	O-Ring Retainer	2	25	89.3001029	Drain Hose	1
5	89.3001038	Ball Retainer	2	26	89.3001051	Nipple 1/2"	1
6	89.3001040	Spring Retainer	2	27	89.3001052	Drain Hose Adaptor 1/4"	1
7	89.3001039	Retainer	2	28	89.3001034	Elbow 1/4"	1
8	89.3001041	Body Valve	1	29	89.3001035	Nipple 3/8"	1
9	89.3001042	O-Ring NBR Sleeve	1	30	89.3001036	Plug 3/8"	1
10	89.3001033	Bearing Piston	1	31	89.3001035	Nipple 3/8"	1
11	89.3001028	Seal Piston	1	32	89.3001061	Adaptor 3/8 - 1/4"	1
12	89.3001043	Piston	1	33	89.3001064	Nipple 3/8"	1
13	89.3001043	Spacer Trip	2	34	89.3001065	Gauge	1
14	89.3001044	Spring Trip	1	35	89.3001066	Cup Filter	1
15	89.3001055	Nut Trip	1	36	89.3001067	O-Ring PTFE Cup	1
16	89.3001056	Rod Motor	1	37	60.1004139	Filter	1
17	89.3001045	Sleeve Motor	1	38	89.3001053	Housing Filter	1
18	89.3001059	Nut Retainer	1	39	89.3001032	Washer	1
19	89.3001030	Seal Rod	1	40	62.1003161	Drain Valve Assy HD	1
20	89.3001049	Bearing Rod	1	41	89.3001054	Elbow Long 1/2"	1
21	89.3001050	Wiper Rod	1	42	89.3001063	Tee 3/8"	1

* Included in Repair Kit p/n 89.3001060

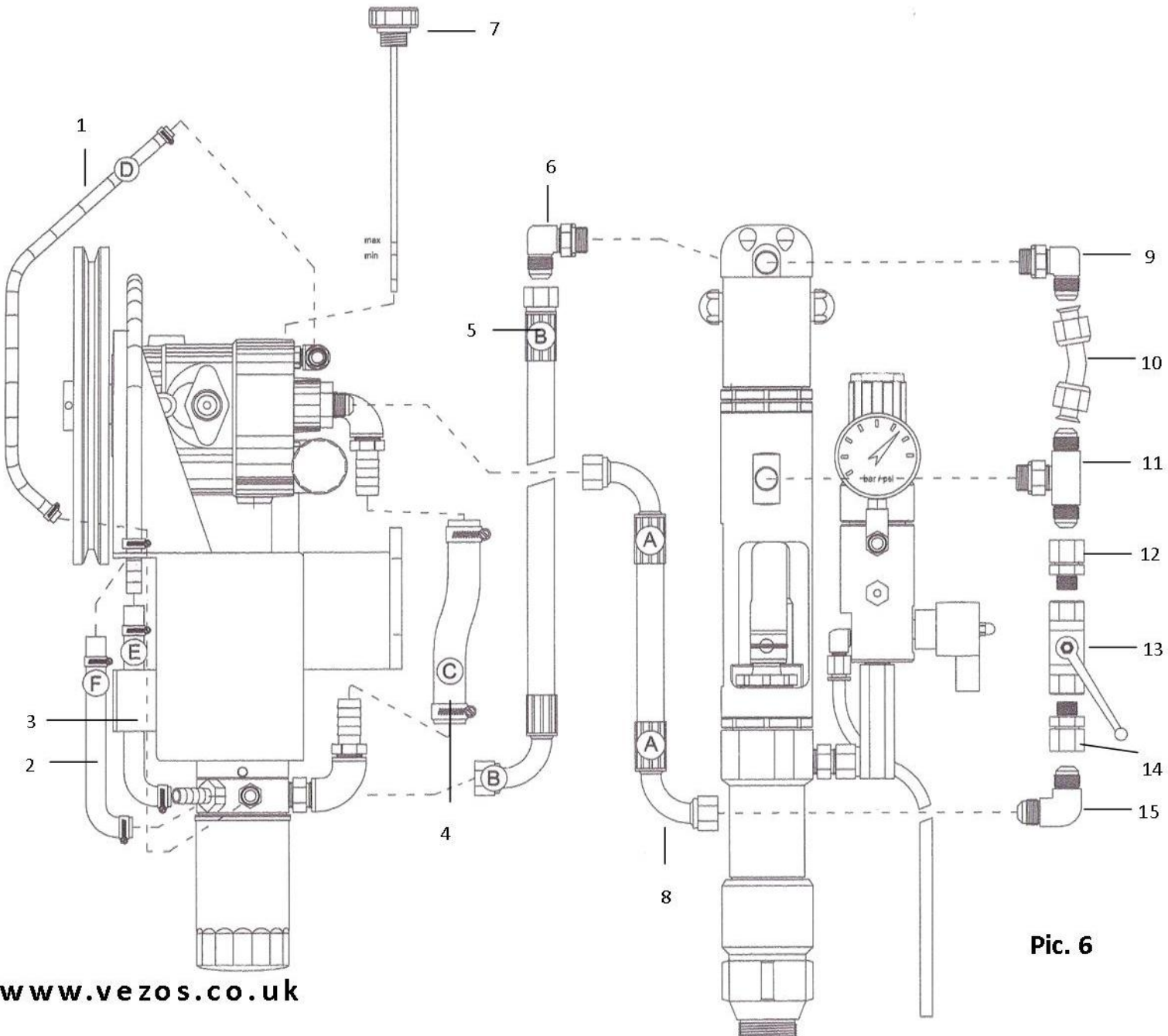


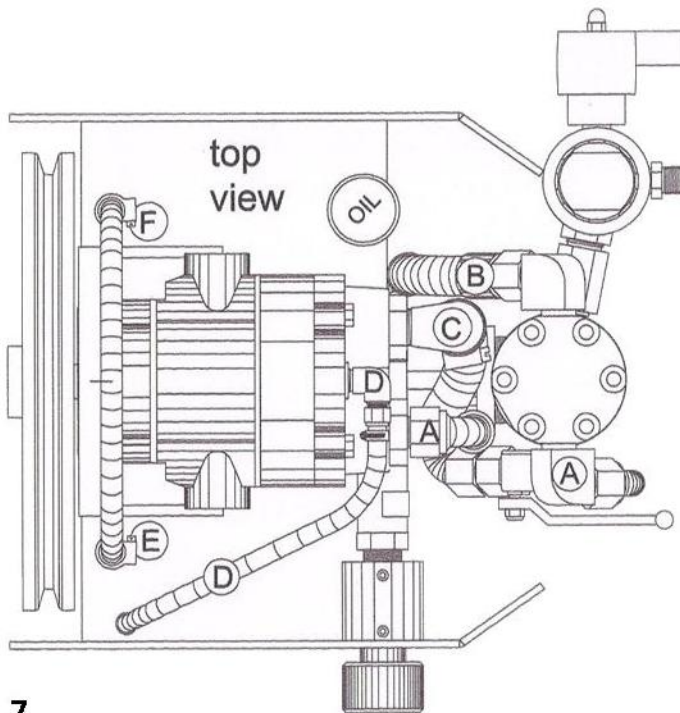
Pic. 5

Ref.	Part Number	Description	QTY	Ref.	Part Number	Description	QTY
1	89.3001068	Pump Hydraulic	1	22	89.3001089	Cart / Oil Tank	1
2	89.3001069	Bolt HEX Flat	1	23	89.3001090	Bolt M10	4
3	89.3001070	Pin	1	24	89.3001091	Washer	1
4	89.3001071	Nut Bolt	1	25	89.3001092	Oil Plug	1
5	89.3001072	Nipple UNF 9/16	1	26	89.3001088	Knob	2
6	89.3001073	Elbow 1/4"	1	27	89.3001093	Screw	2
7	89.3001074	Nipple Hose 3/8"	1	28	89.3001094	Knob Power Kit	1
8	89.3001075	Nipple Adaptor 1/16"	1	29	89.3001095	Cup	2
9	89.3001076	Reducer UNF 1 1/16"	1	30	89.3001078	Nipple Hose 1/2"	1
10	89.3001077	Elbow 1/2"	1	31	89.3001096	Elbow 1/2"	1
11	89.3001078	Nipple Hose 1/2"	1	32	89.3001097	Distributor	1
12	89.3001079	Pressure Reg. Body	1	33	89.3001098	Filter Oil Spin On	1
13	89.3001080	Pressure Reg. Knob	1	34	89.3001099	Cup Bypass	1
14	89.3001081	Cooler	1	35	89.3001100	Ball Bypass	1
15	89.3001082	Pulley Fan	1	36	89.3001101	Spring Bypass	1
16	89.3001083	Pulley retainer	1	37	89.3001102	Filter Suction	1
17	89.3001084	Belt Runner Pro7	1	38	89.3001103	Ring Retainer	2
18	89.3001085	Handle Cart	1	39	89.3001104	Cup	1
19	89.3001086	Guide Handle	2	40	89.3001105	Ring Retainer	2
20	89.3001087	Pin	2	41	61.1003157	Wheel	2
21	89.3001088	Knob	2				

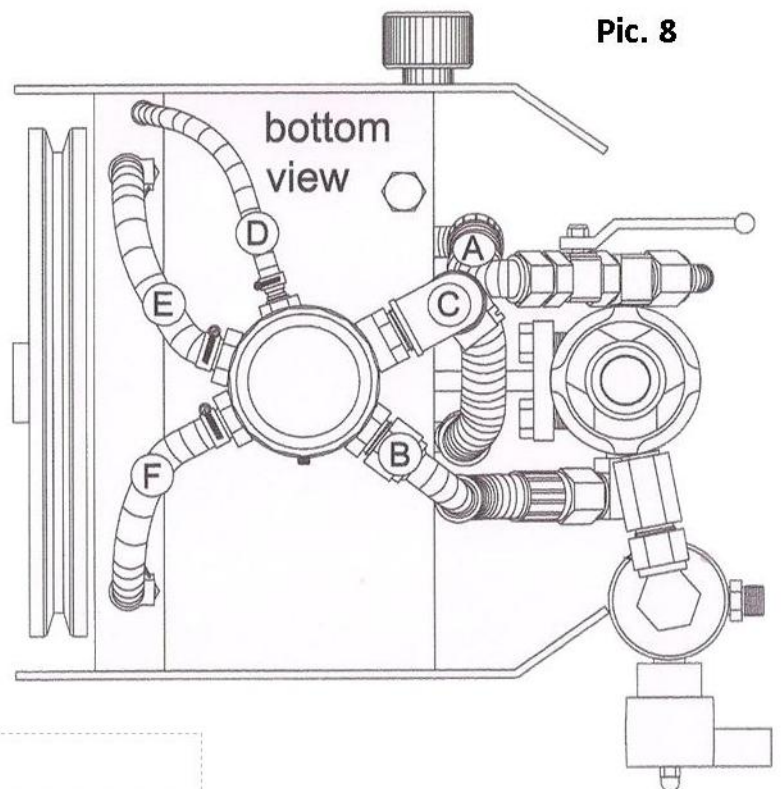
Hydraulic Circuit Line Identification

Ref.	Part Number	Description	QTY	Ref.	Part Number	Description	QTY
1	89.3001106	Hose Hydr. Drain **	1	9	89.3001110	Elbow / Nut UNF 3/4"	1
2	89.3001107	Hose Hydr. Cooler **	1	10	89.3001113	Tube Connector	1
3	89.3001107	Hose Hydr. Cooler **	1	11	89.3001114	Tee / Nut UNF 3/4"	1
4	89.3001108	Hose Hydr. Suction **	1	12	89.3001115	Adaptor Swivel 3/8"	1
5	89.3001109	Hose Hydr. Return	1	13	89.3001116	Ball Valve	1
6	89.3001110	Elbow / Nut UNF 3/4"	1	14	89.3001115	Adaptor Swivel 3/8"	1
7	89.3001111	Oil Indicator	1	15	89.3001117	Elbow UNF 3/4"	1
8	89.3001112	Hose Hydr. Cooler **	1			** Include Clamps	(x2)



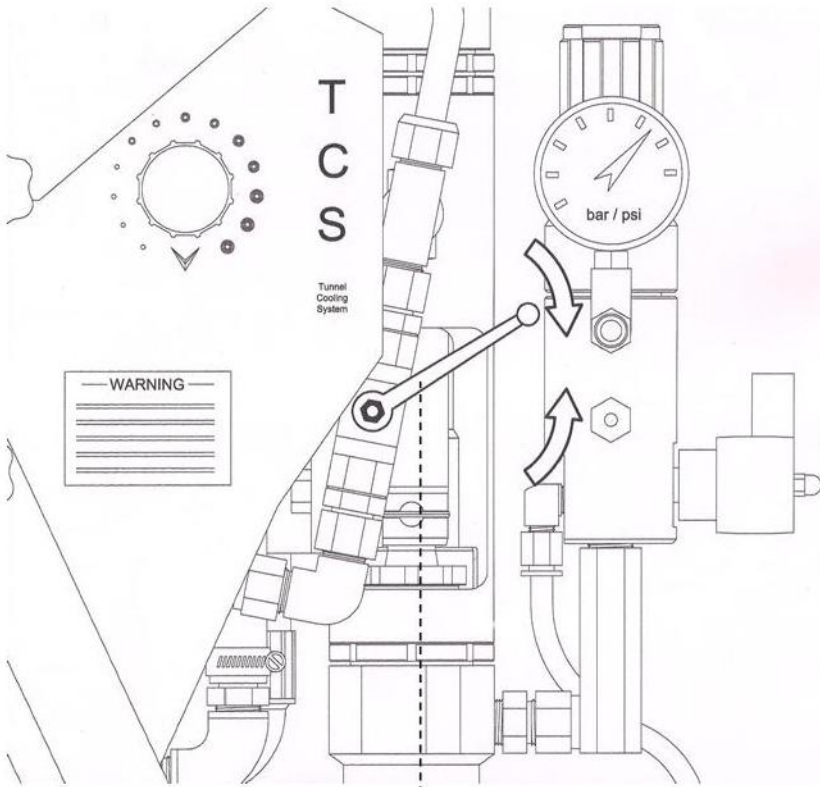


Pic. 7



Pic. 8

A	Power unit to hydraulic pump
B	Hydraulic pump return to distributor / filter
C	Power unit suction from distributor / filter
D	Power unit drain to distributor / filter
E	Distributor / filter to cooling system
F	Cooling system to distributor / filter



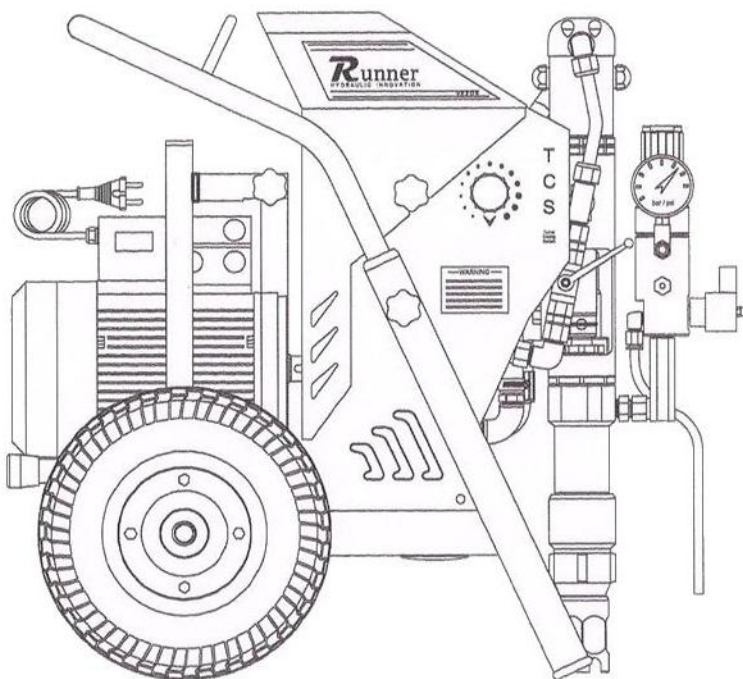
B Drain Valve / Pressure Releaser

This airless paint sprayer remains pressurized and needs to be manually relieved.

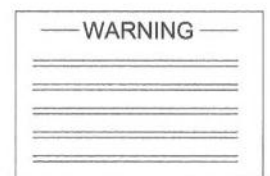
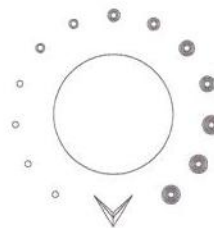
Do not attempt to clean the unit or paint hose / gun without operating the drain valve and relieving the pressure from the unit.

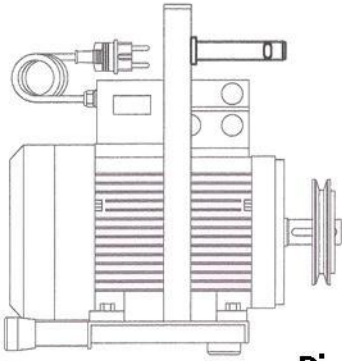
Pic. 9

A Hydraulic Pump ON / OFF



Labels / Stickers
 Order Manual R15/20



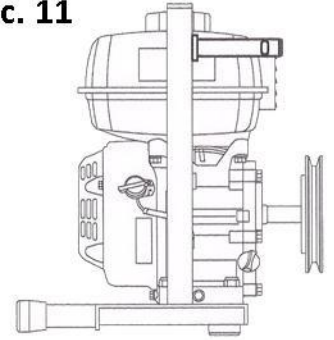


Pic. 10

Motor Kit

p/n 23.8001021.E

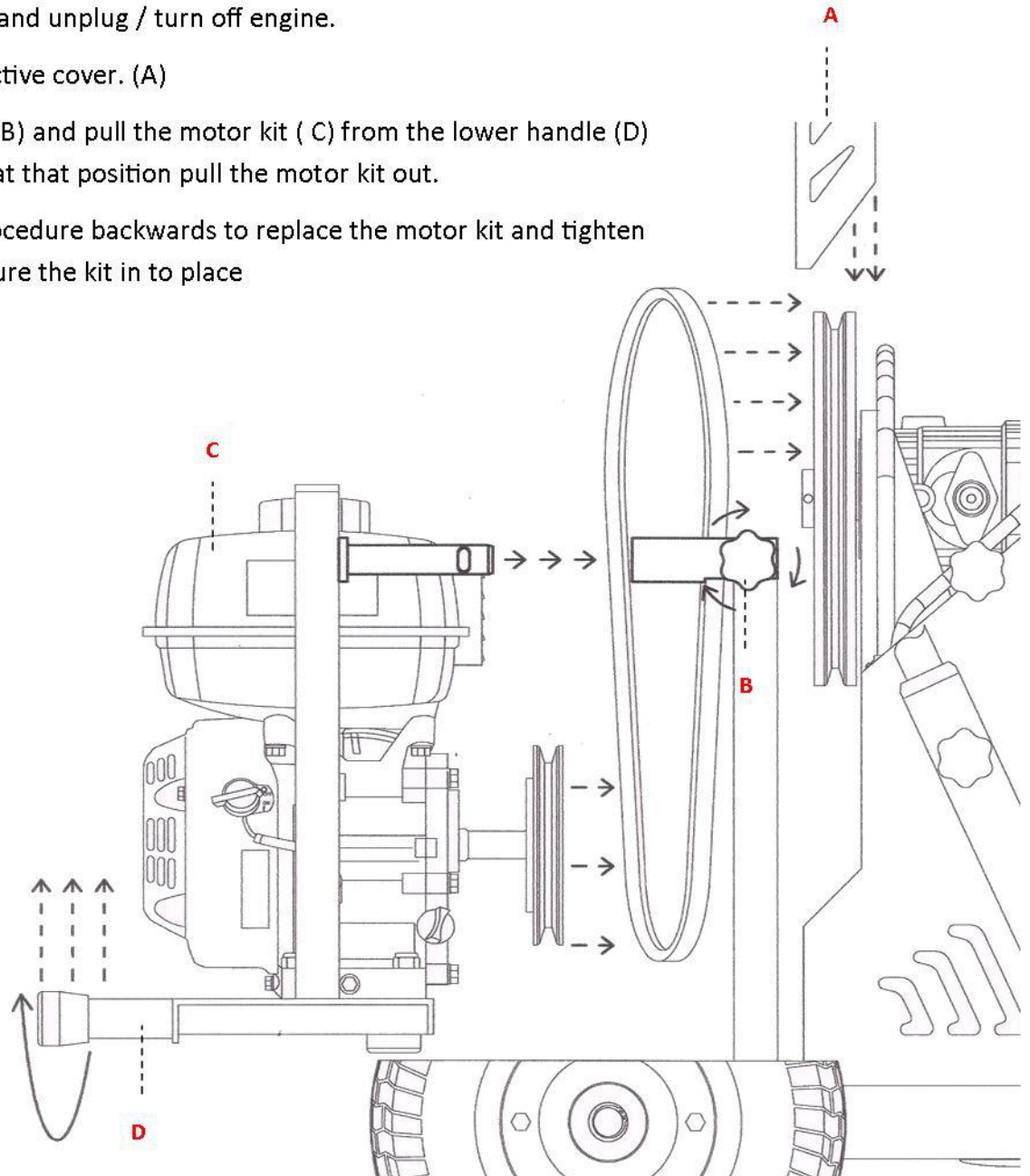
Pic. 11



Honda Engine Kit

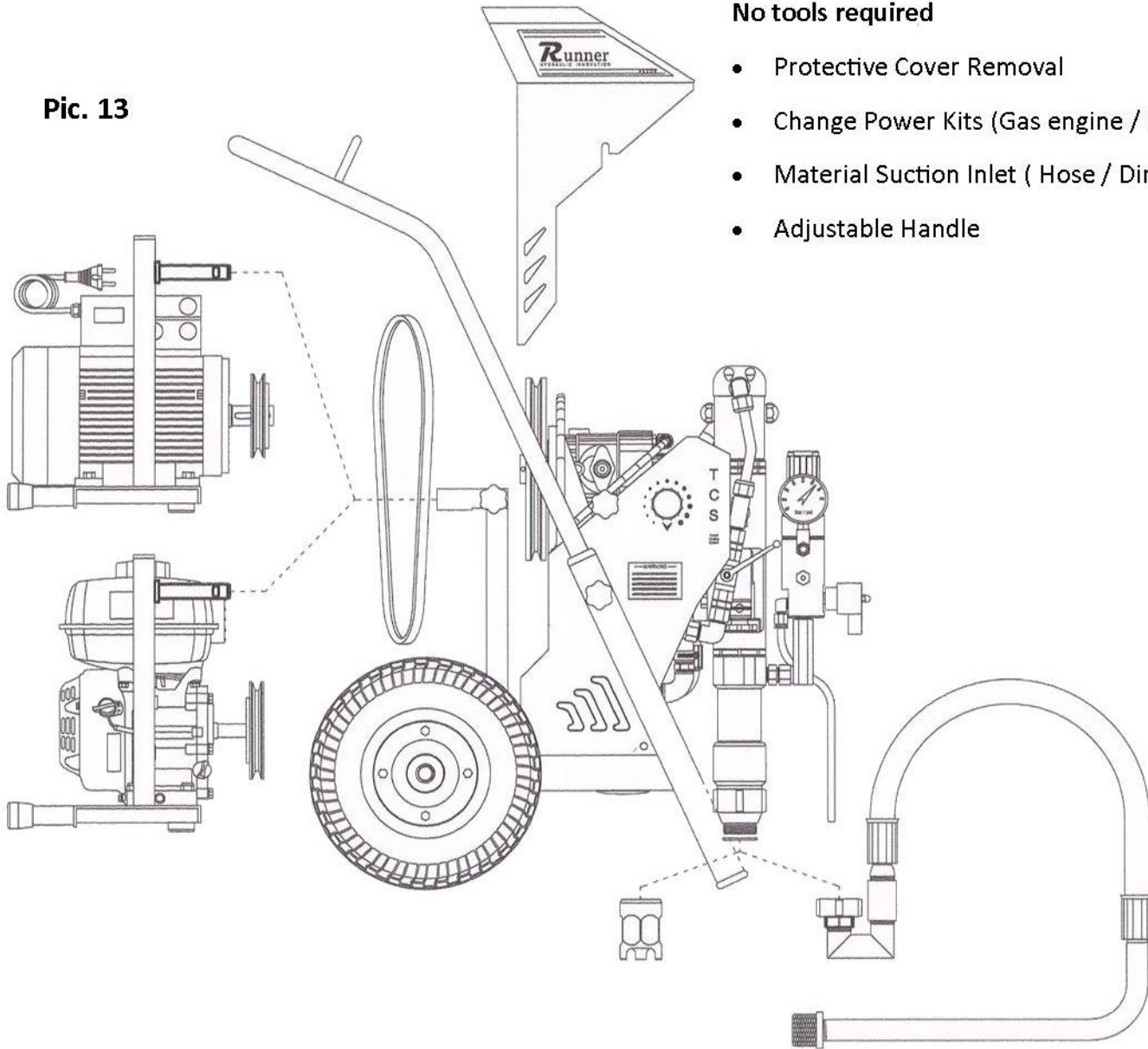
p/n 23.8001021.G

- ⇒ Turn off the motor and unplug / turn off engine.
- ⇒ Remove the protective cover. (A)
- ⇒ Unscrew the knob (B) and pull the motor kit (C) from the lower handle (D) to loosen the belt, at that position pull the motor kit out.
- ⇒ Redo the above procedure backwards to replace the motor kit and tighten the knob (B) to secure the kit in to place



Pic. 12

Pic. 13

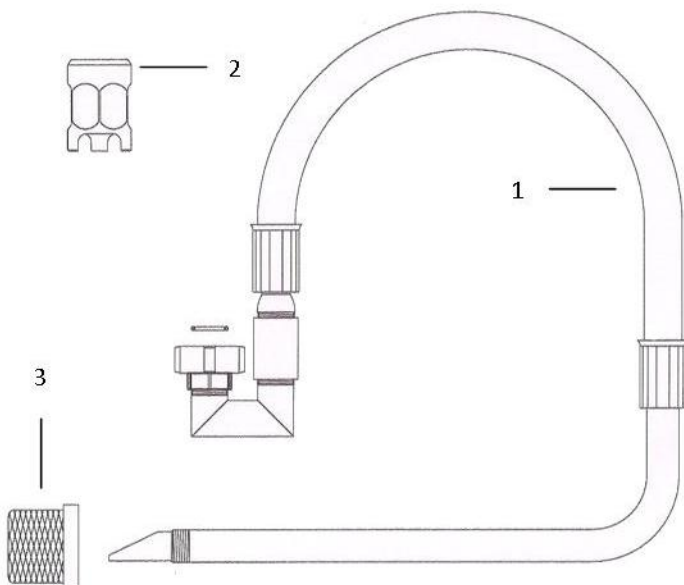


No tools required

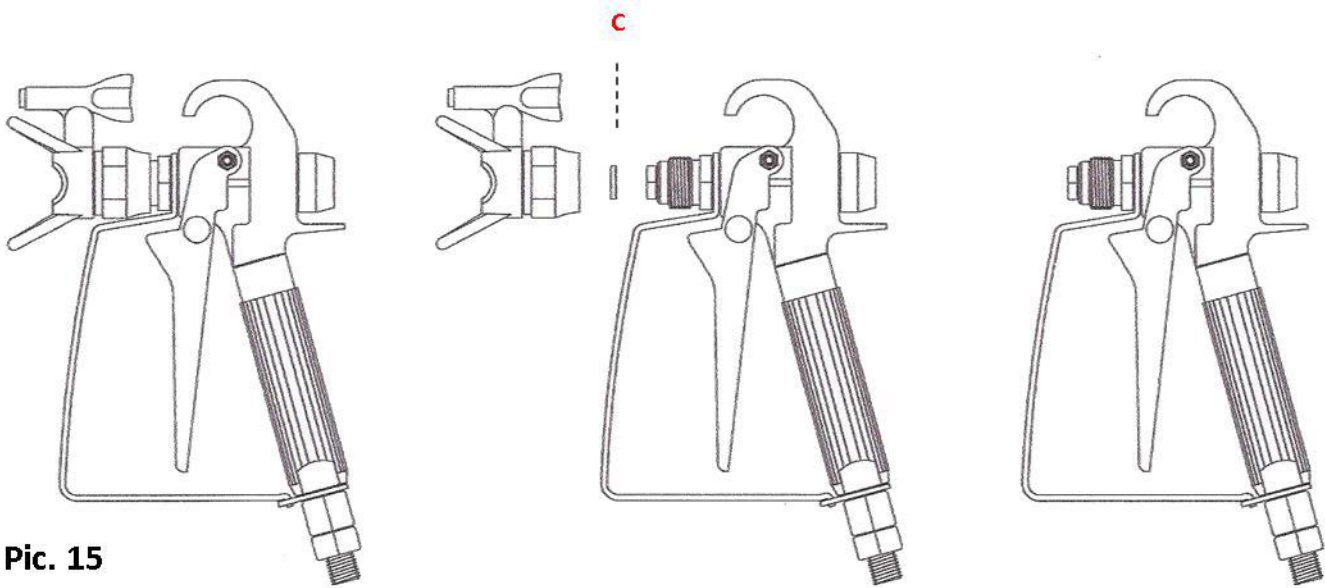
- Protective Cover Removal
- Change Power Kits (Gas engine / Electric motor)
- Material Suction Inlet (Hose / Direct inlet)
- Adjustable Handle

Pic. 14

Material Suction

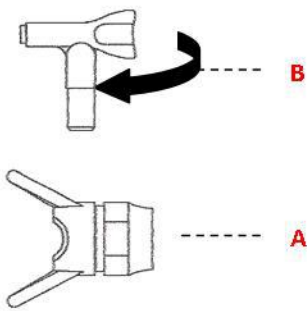


Ref.	Part Number	Description	QTY
1	23.7002202	Suction Hose Kit	1
2	89.3001118	Direct Inlet	1
3	89.3001119	Strainer / Filter	1



Pic. 15

Before operating the airless spray gun, check that the seal (C) has been inserted and tighten the guard (A).

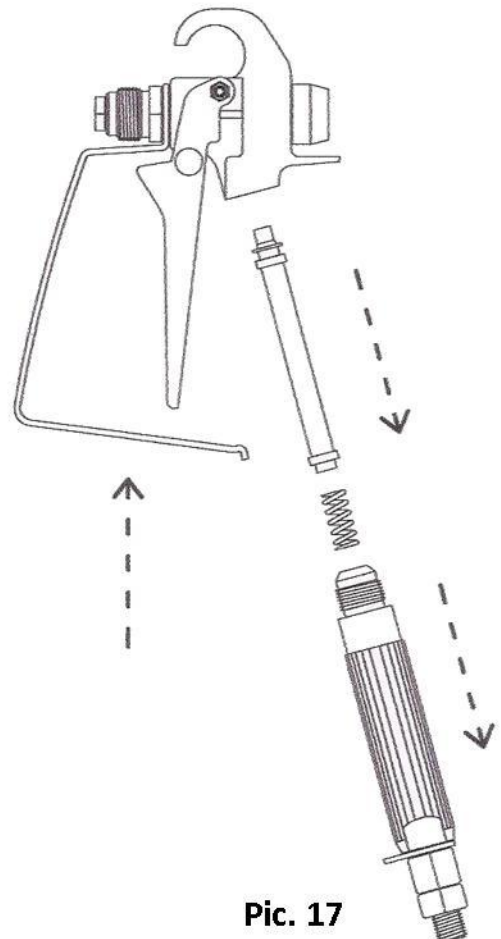


Pic. 16

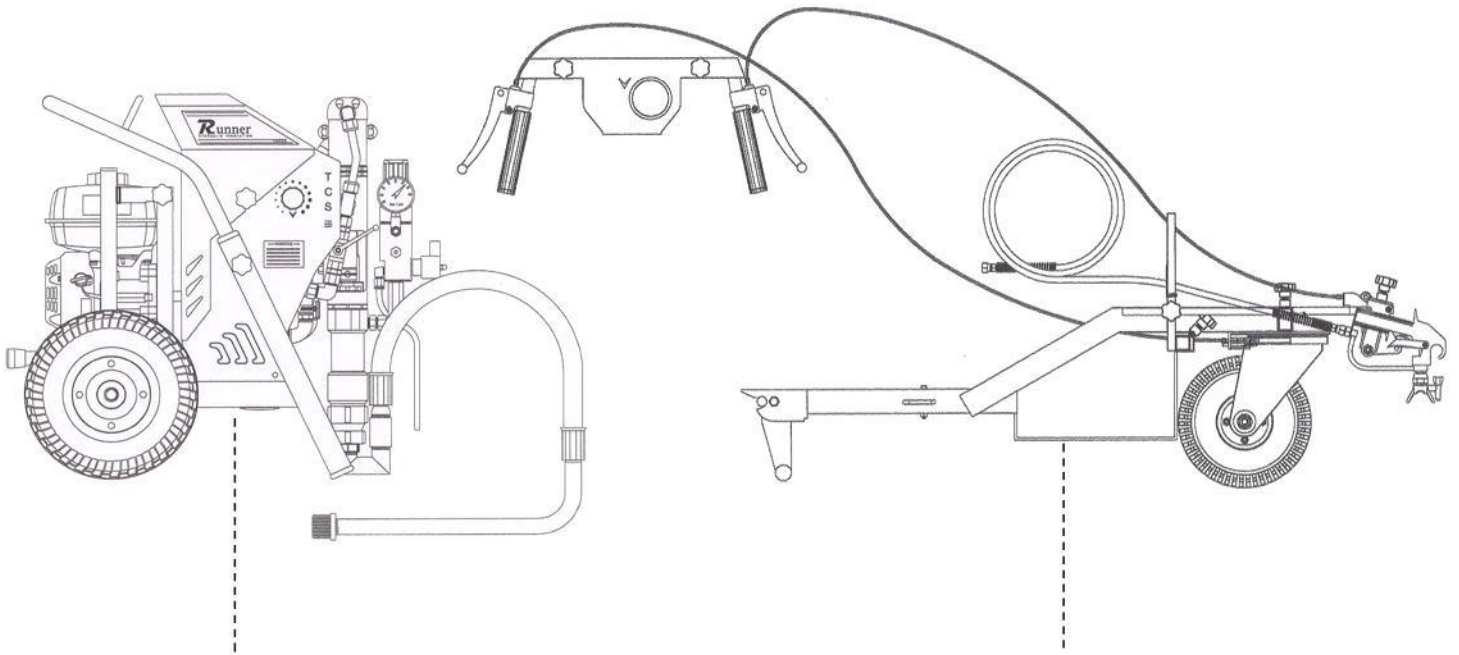
Insert the spray tip (B) into the protective guard (A) and turn to click into place.

At the end of every job, make sure to clean the gun filter. Unscrew and remove the filter, wash well and place back into the filter holder.

Always perform the pressure releaser procedure before attempting to clean / open the gun.



Pic. 17



Runner Airless Sprayer

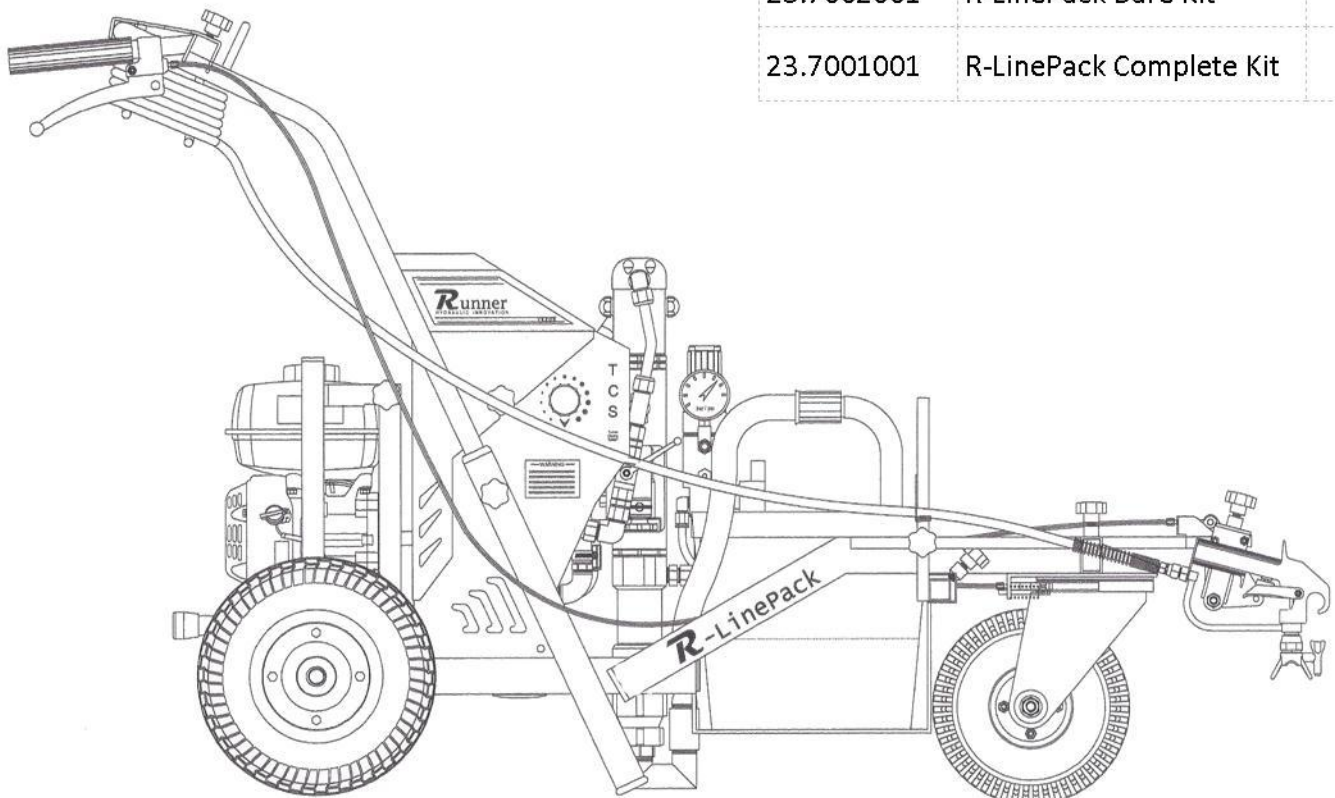
Line Striping Kit "R-LinePack"

Pic. 18

All Runner Airless Texture & Paint sprayers can connect to VEZOS R-LinePack line striping kit.

No tools required to adapt the striping kit to the sprayer.

Part Number	Description	QTY
23.7002001	R-LinePack Bare Kit	1
23.7001001	R-LinePack Complete Kit	1



Pic. 19

Before operating the airless sprayer perform a daily check on the bellow:

- ⇒ Engine oil level
- ⇒ Hydraulic oil level
- ⇒ Spray hose for damage
- ⇒ Fuel tank (Gas operated) for level
- ⇒ Pump secure and tightened
- ⇒ Spray gun tight / locked
- ⇒ Drain valve closed



Semi annual / annual checks:

- * Change engine oil - check Honda Engine Manual
- * Check belt (pulley fan) and replace if necessary
- * Drain hydraulic oil and replace (VG 68)
- * Annual maintenance / service at authorized distributor



Technical Data

Product Number	23.1003812E	23.1003812G
Model	Runner Pro7 Electric	Runner Pro7 Gas
Max Pressure	260 bar	260 bar
Max. Delivery	6.4 l/min	7.5 l/min
Power	4 hp	5.5 hp
Motor	Electric 230 Volt	Honda GX200
Hydraulic Reservoir	5.0 liter	5.0 liter
Max Tip Size	0.049	0.051
Dimensions	73x61x74cm	73x61x74cm
Power Convert	Convertible	Convertible
Includes	15 meters Paint Hose 3/8"	
	1 meter Paint Hose 1/4"	
	1 Airless Spray Gun	
	1 Gun Guard	
	1 Gun Tip	